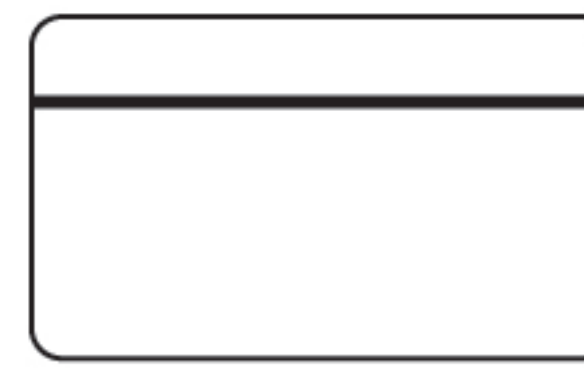


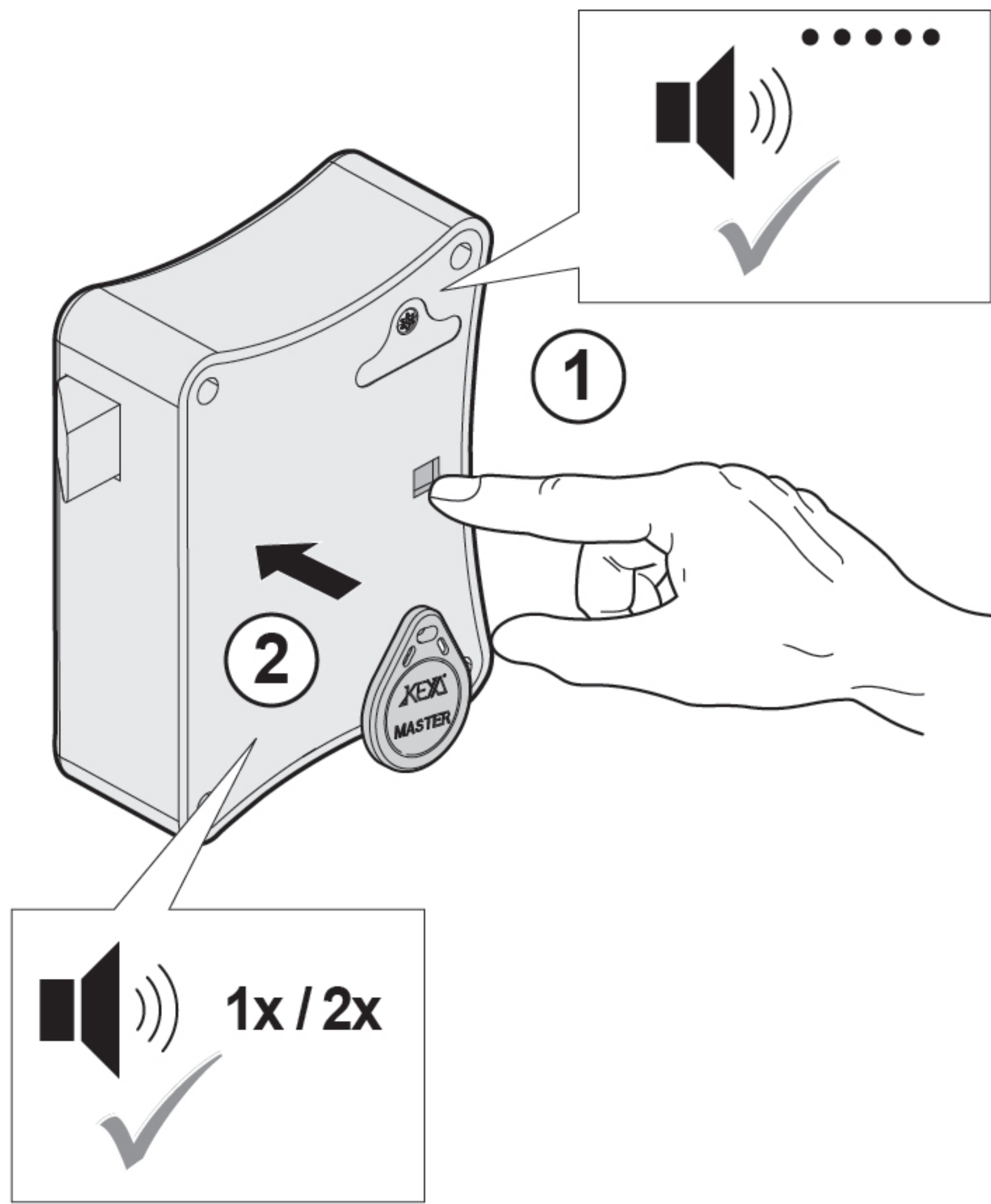


Masterkey / Programming key



Benutzerkey / User key

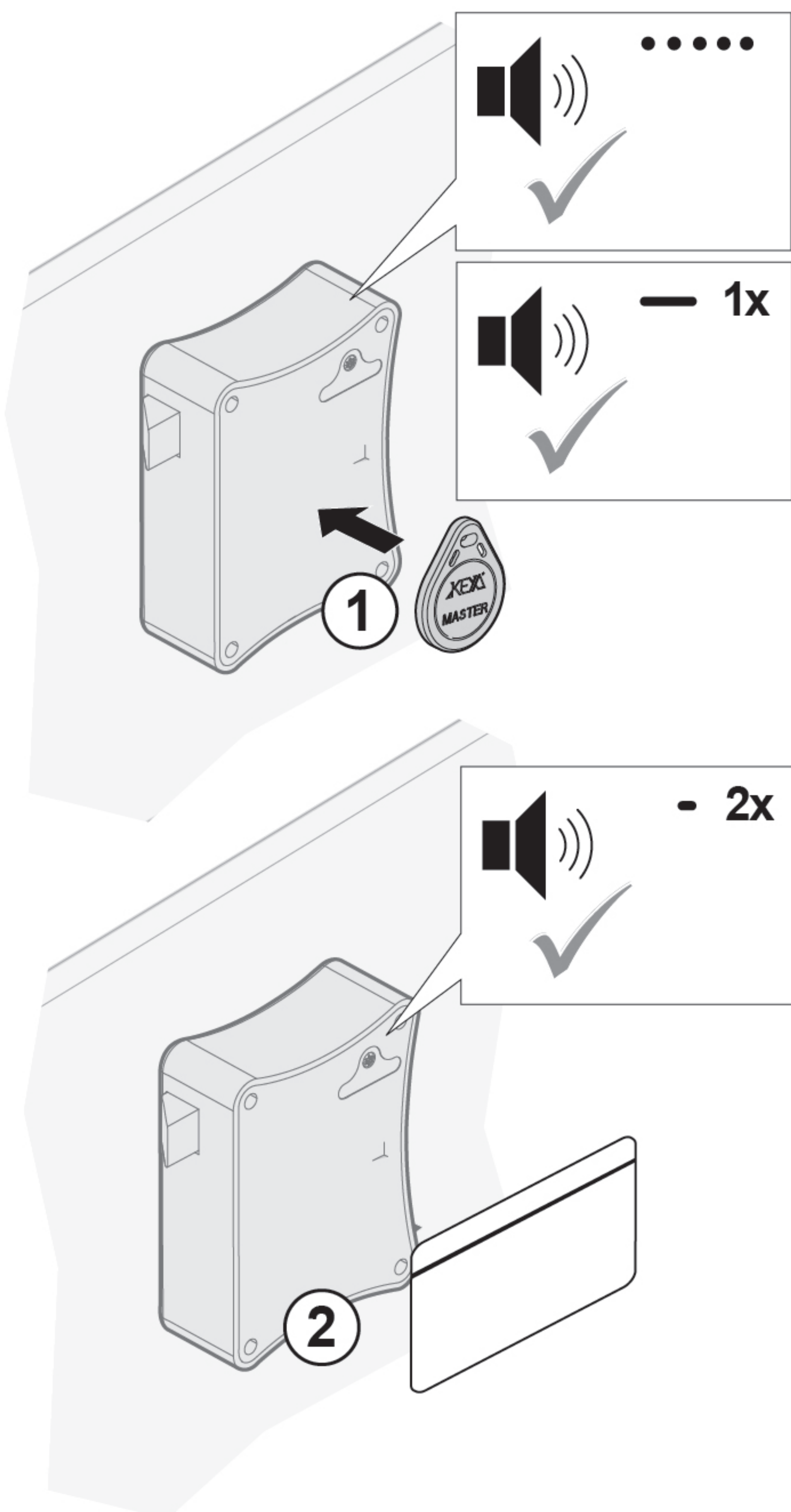
Masterkey anlernen / Assigning master key



- de** (1) Push-Button ca. 5 Sek. drücken. Tickendes Geräusch.
 (2) Masterkey an Schloss halten. Masterkey 1: 1x Beep;
 Masterkey 2: 2x Beeps.

- en** (1) Press the push button for approx. 5 sec. A ticking sound can be heard.
 (2) Hold the master key in front of the lock. Master key 1: 1x beep;
 master key 2: 2x beep.

Benutzerkey anlernen / Assigning user key



- de** (1) Masterkey an Schloss halten. Tickendes Geräusch.
 1x Beep lang.
 (2) Benutzerkey an Schloss halten. 2x Beep kurz.
 Benutzerkey ist programmiert.

- en** (1) Hold the master key in front of the lock. A ticking sound can be heard. 1x long beep.
 (2) Hold the user key in front of the lock. 2x short beep. User key has been programmed.