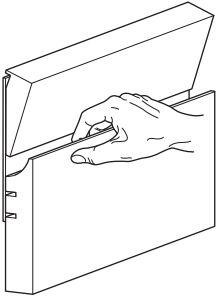




126.30.000



A

B 6x

+

126.30.010

C

D

732.21.000

i

„mm“

22

≥ 109

≥ 1.6

13

2

≥ 60

22

25

≥ 109

≥ 1.6

16

2

≥ 70

25

≥ 109

≥ 1.6

14.5

2

≥ 70

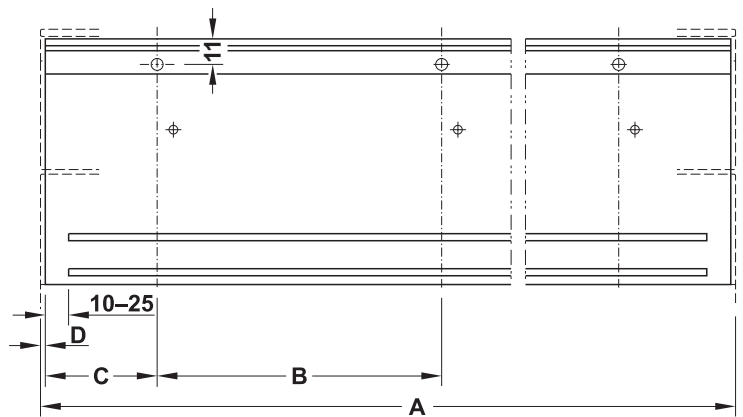
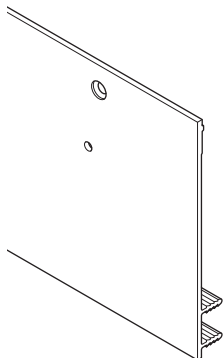
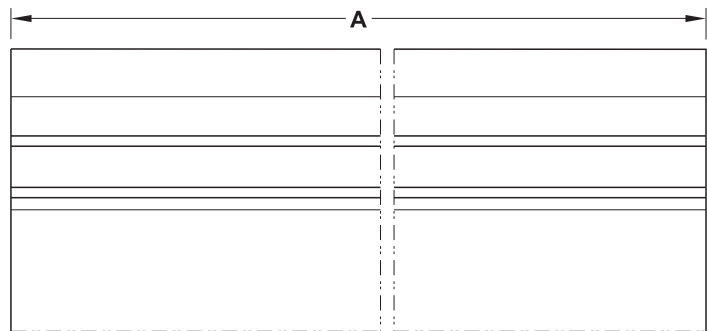
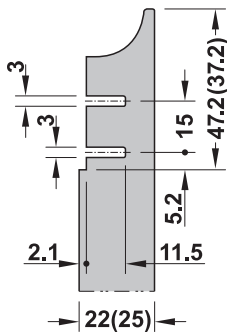
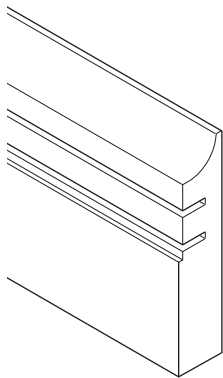
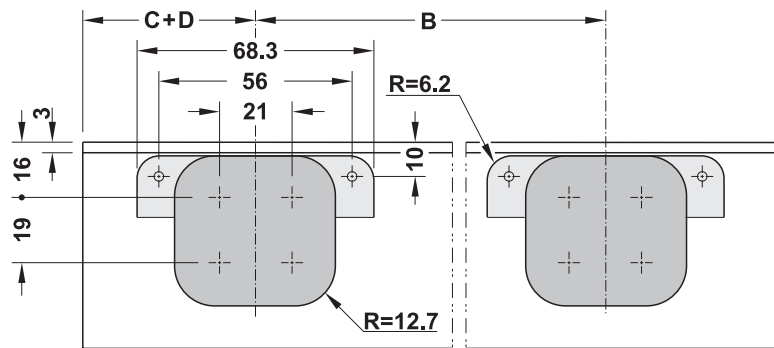
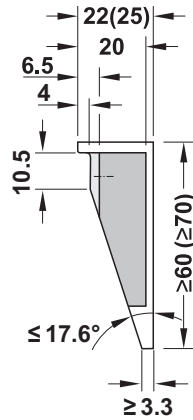
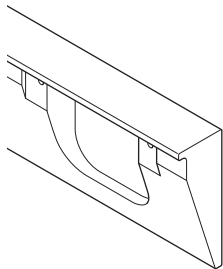
20

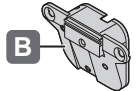
4

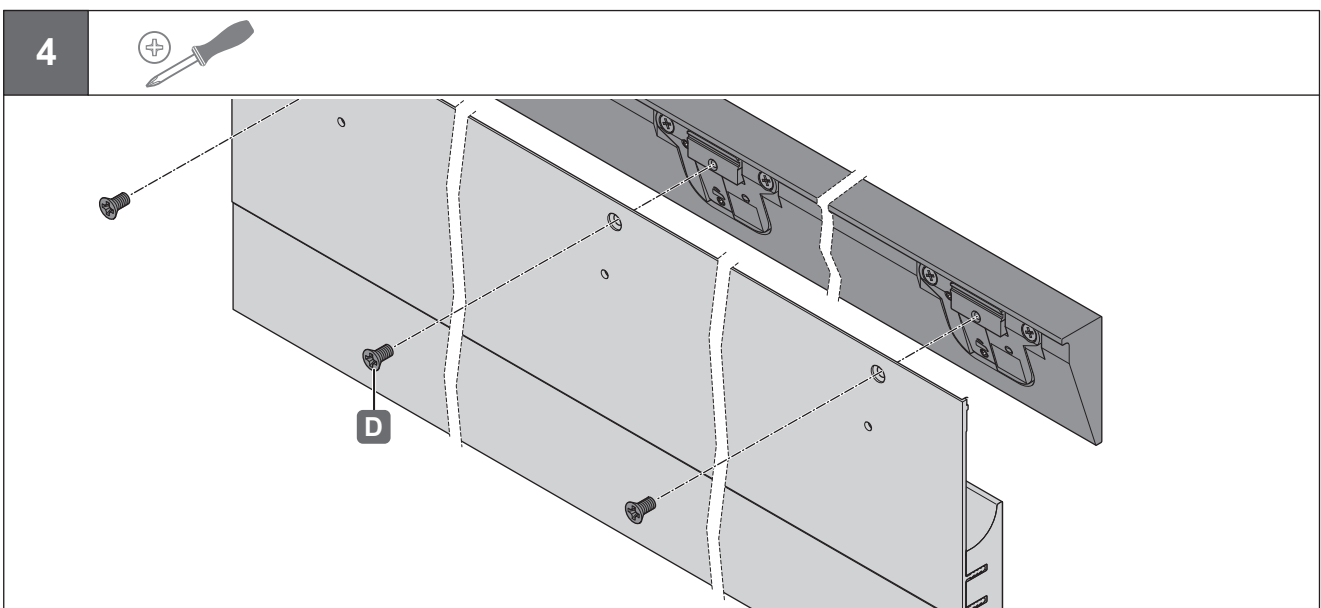
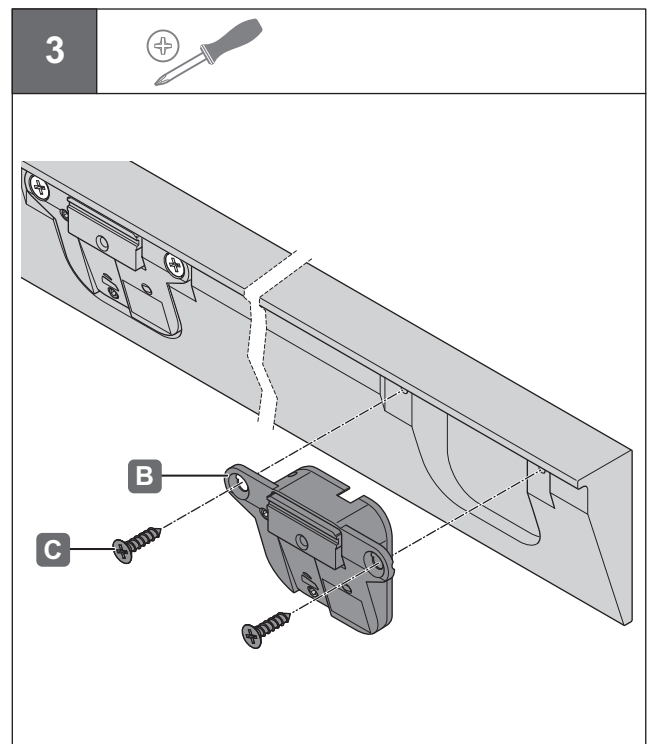
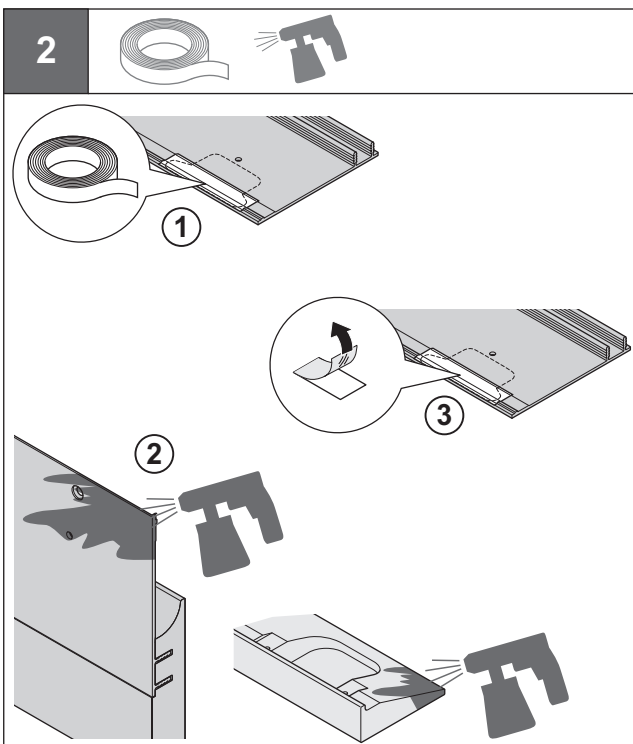
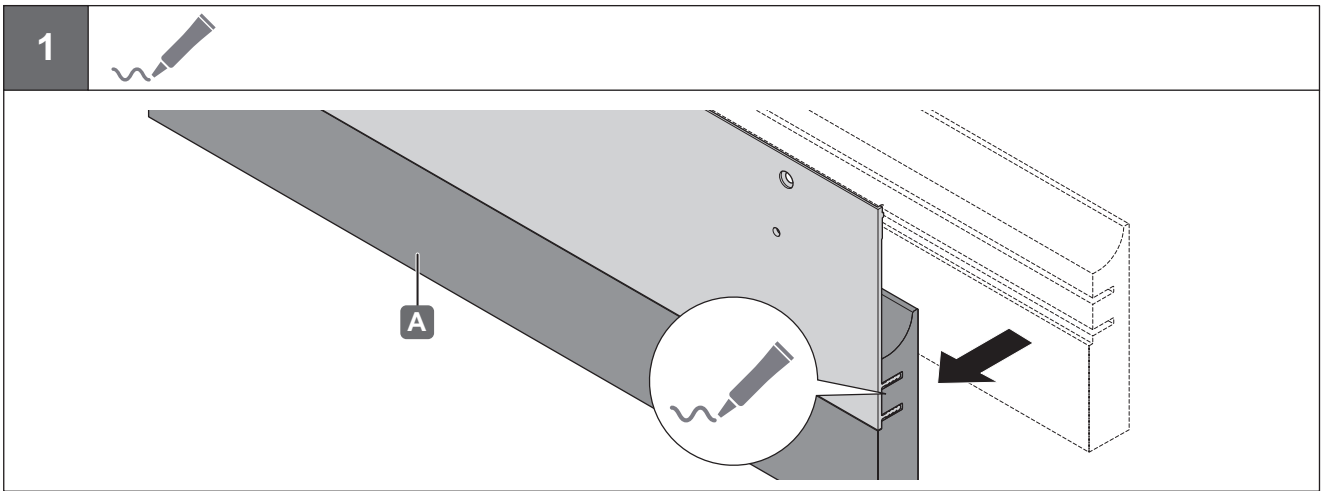
25

(20 + 1 + 4)

HDE 20.09.2021

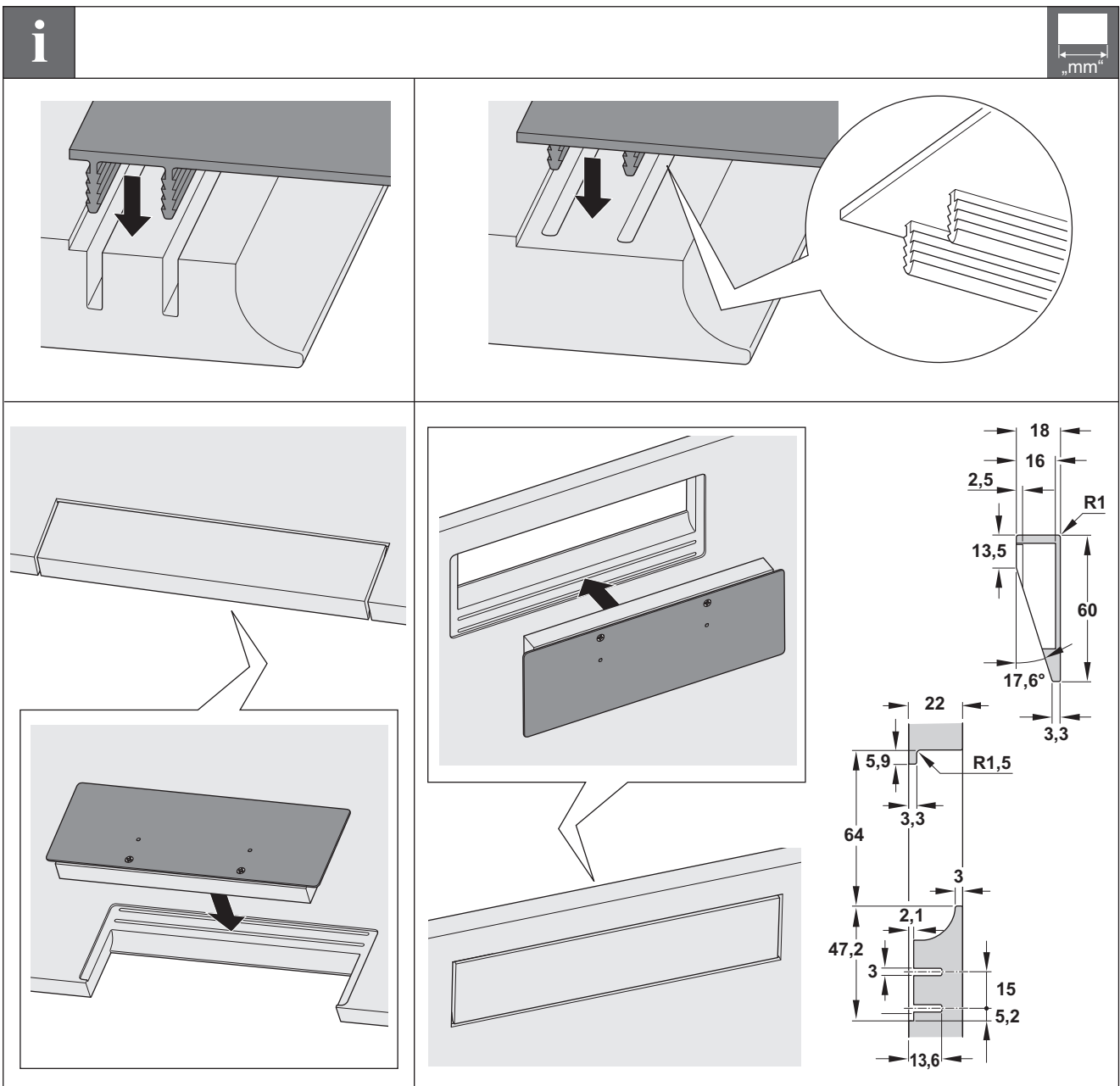
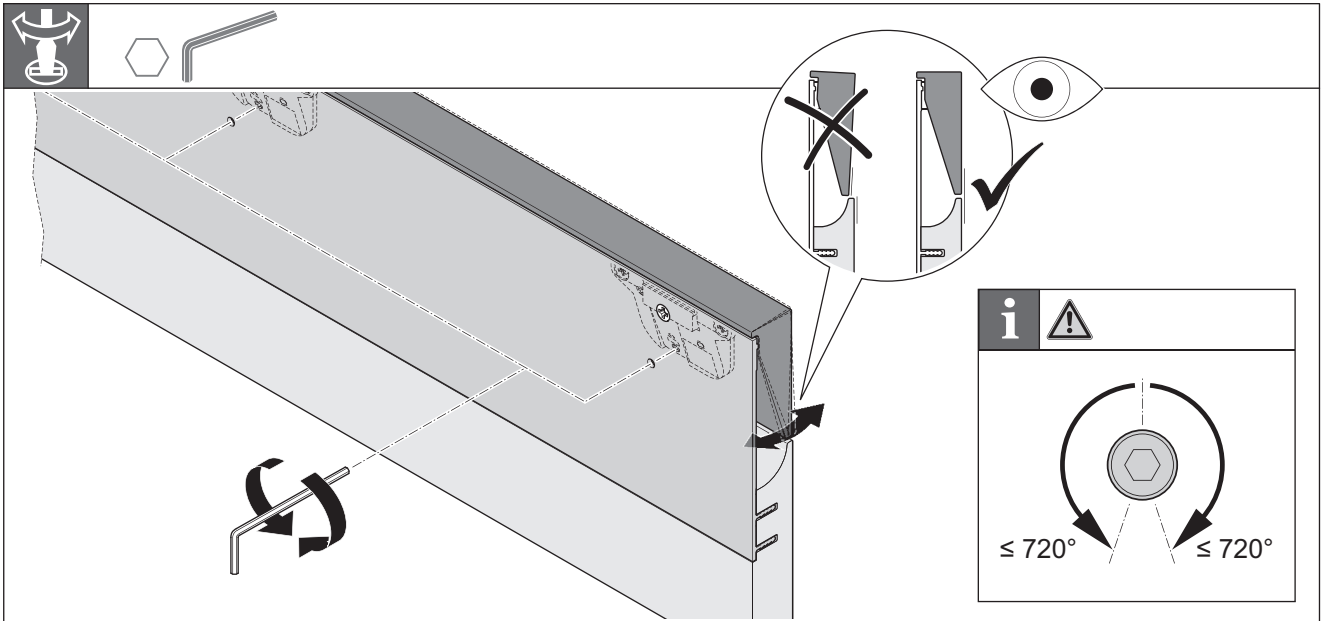


A	B (≤ 500)	C		
		D = 0	D = 2	
150–349	50–249	50	48	2x
350–599	250	50–174,5	48–172,5	2x
600–1099	500	50–299,5	48–297,5	2x
1100–1599	500	50–299,5	48–297,5	3x
1600–2099	500	50–299,5	48–297,5	4x
2100–2599	500	50–299,5	48–297,5	5x
2600–3000	500	50–250	48–248	6x



732.21.000

HDE 20.09.2021



732.21.000

HDE 20.09.2021