


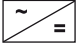
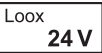






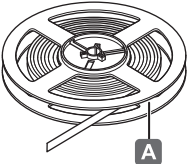
LED 3013 (2.5 A / 22 AWG)
LED 3015 (2.5 A / 22 AWG)

833.76.070 833.76.080
833.76.071 833.76.081
833.76.072 833.76.082

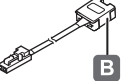
732.28.260

	K	W	T_A			
833.76.070	3000 K	16 W/m	-20 °C – +35 °C -4 °F – +95 °F	5000 x 10 x 1.3	≥ 20 x 11.3	
833.76.071	4000 K					
833.76.072	6000 K					
833.76.080	3000 K	15 W/m				
833.76.081	4000 K					
833.76.082	6000 K					

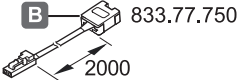





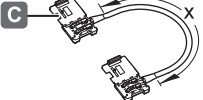
A



B

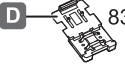


B 833.77.750
2000

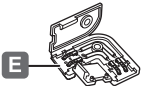


C

X	
50	833.77.740
500	833.77.741
1000	833.77.803
2000	833.77.742





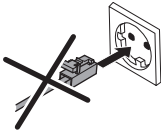
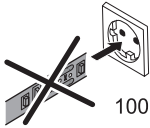
D 833.77.760

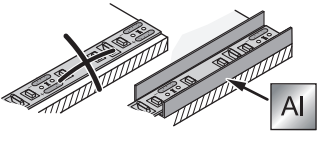
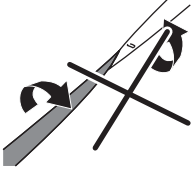
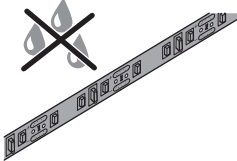



E 833.77.762

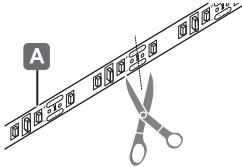
HDE 08/2017

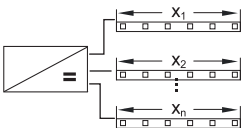
i 

   100 - 240 V~

1 





$X_1 + X_2 + \dots + X_n \leq X$

i

24 V / 20 W		
	x_n [m]	X [m]
LED 3013	1.000	1.000
LED 3015	1.150	1.150

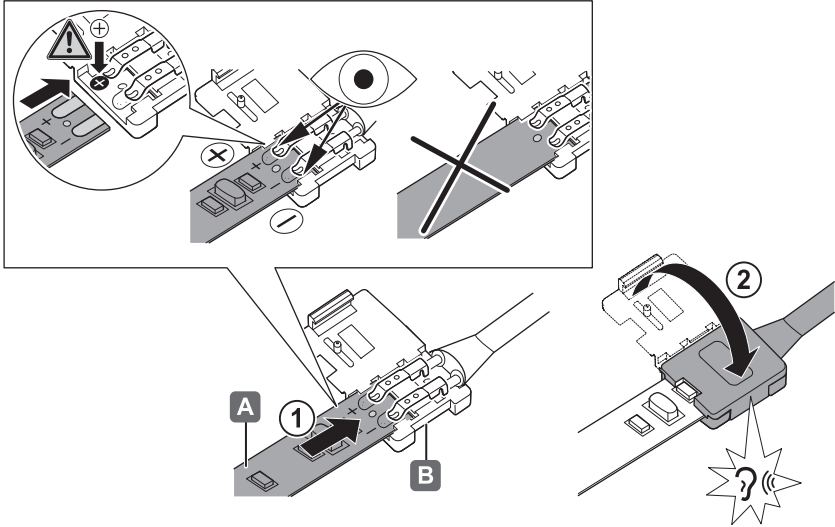
24 V / 40 W		
	x_n [m]	X [m]
LED 3013	2.200	2.200
LED 3015	2.400	2.400

24 V / 90 W		
	x_n [m]	X [m]
LED 3013	3.200	5.000
LED 3015	3.400	5.400

732.28.260

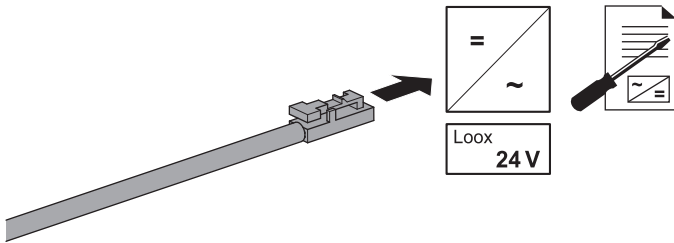
HDE 08/2017

2



732.28.260

3

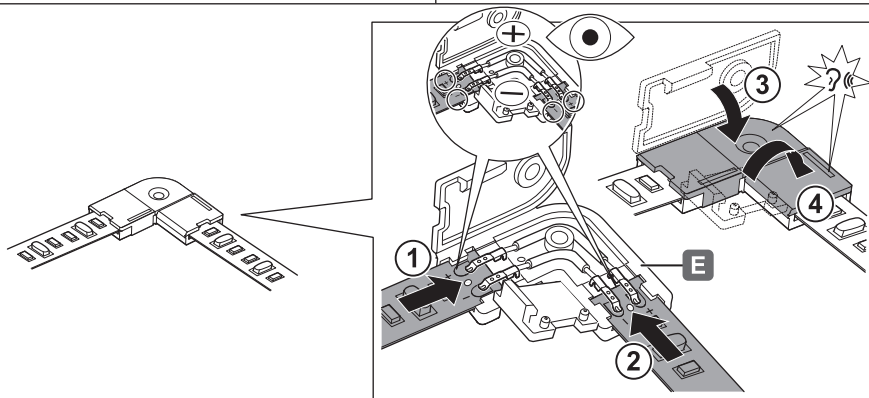
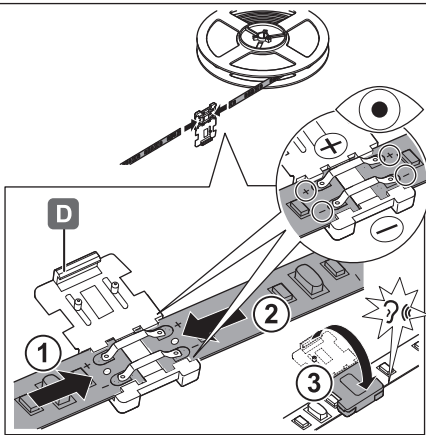
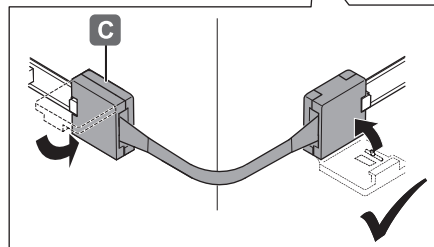
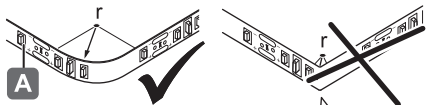


HDE 08/2017

+

$r \geq 30 \text{ mm}$

$r < 30 \text{ mm}$



732.26.260