



Variant C Matrix

237.83.xxx	429.54.xxx
429.50.xxx	429.58.xxx
429.52.xxx	429.62.xxx
429.53.xxx	429.64.xxx



A **B**

237.83.709
237.83.710
237.83.711
237.83.712
237.83.713
237.83.714
237.83.715
237.83.716
237.83.717
237.83.718
237.83.909
237.83.910
237.83.911
237.83.912
237.83.913
237.83.914
237.83.915
237.83.916
237.83.917
237.83.918

i

Diagram illustrating safety instructions for rail installation. It shows a warning symbol (eye and exclamation mark) and a 'no' symbol over a hand holding a rail. A second diagram shows a rail being inserted into a slot, with a checkmark indicating the correct method.

I

429.53.844
429.53.845
429.53.854
429.53.855
429.53.940
429.53.950
429.54.940
429.54.950
429.54.960

C

429.52.126
429.52.128
429.52.136
429.52.138
429.52.142
429.52.146
429.52.148
429.52.295
429.52.296
429.52.395
429.52.396
429.52.426
429.52.428
429.52.436
429.52.438
429.52.442
429.52.446
429.52.448

O

429.64.213
429.64.242
429.64.243
429.64.313
429.64.342
429.64.343

H

429.58.992
429.58.997
429.62.812
429.62.913
429.62.951
429.62.952

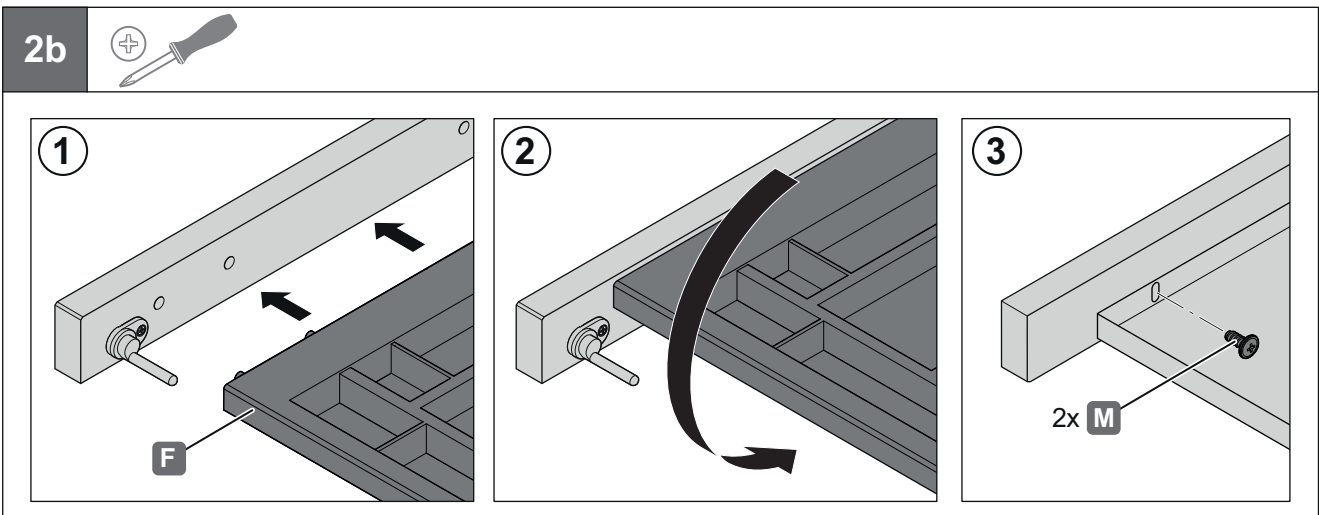
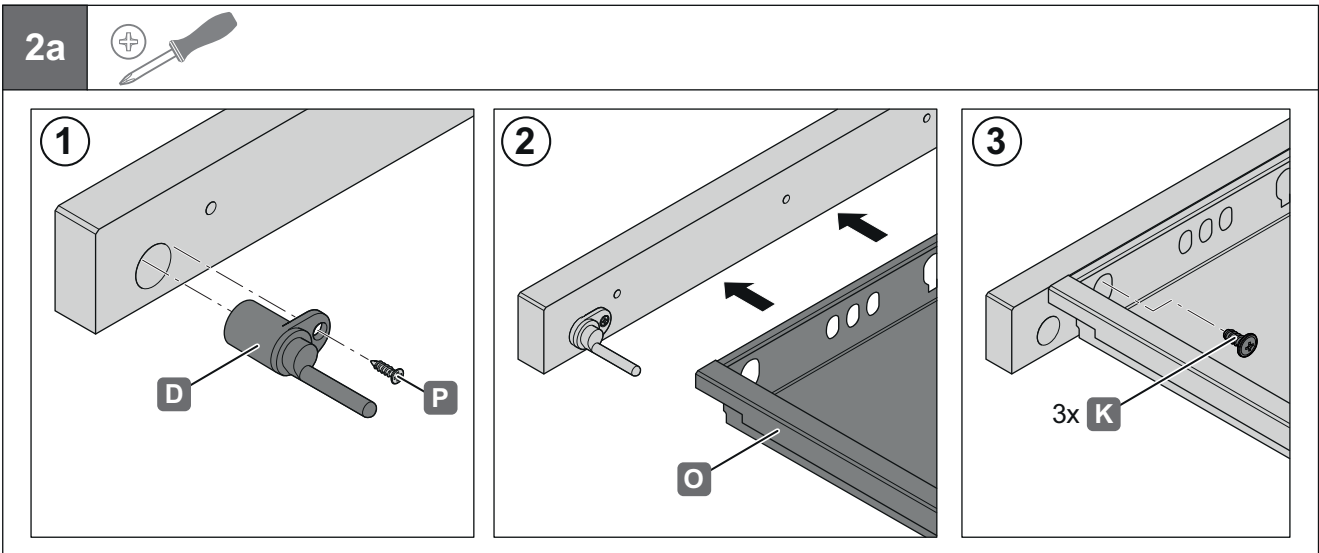
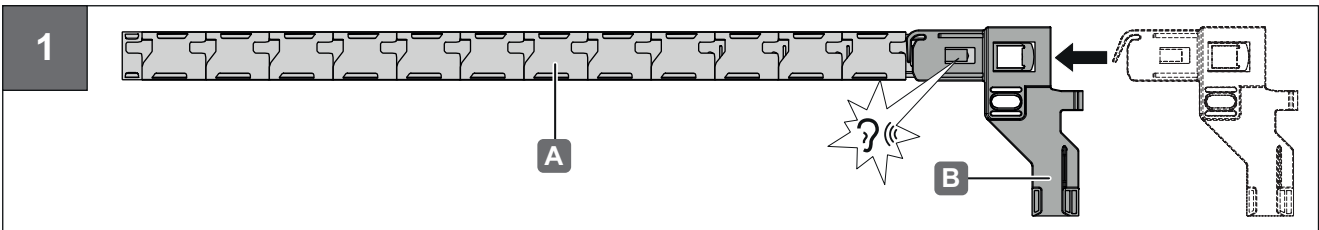
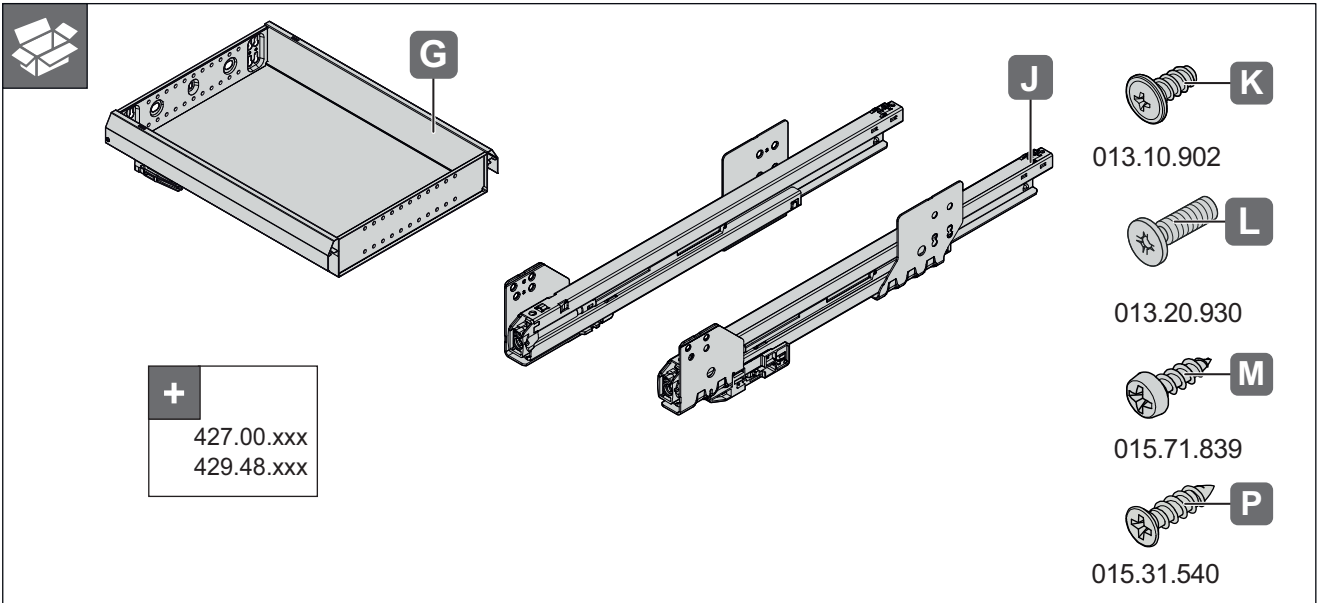
D **E**

F

429.50.211
429.50.311

732.24.220

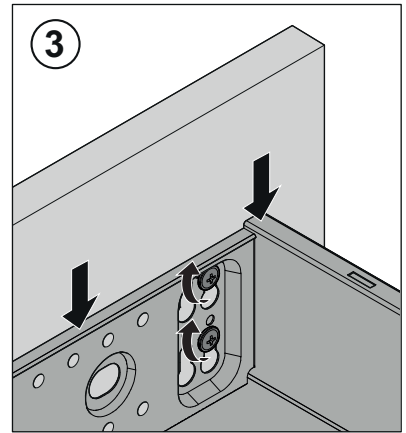
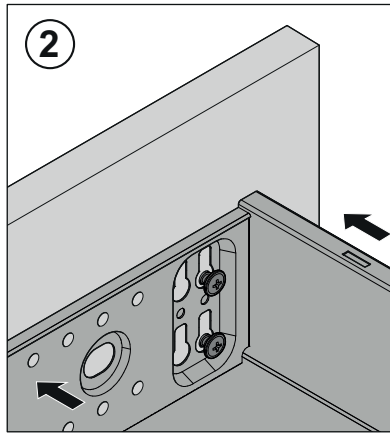
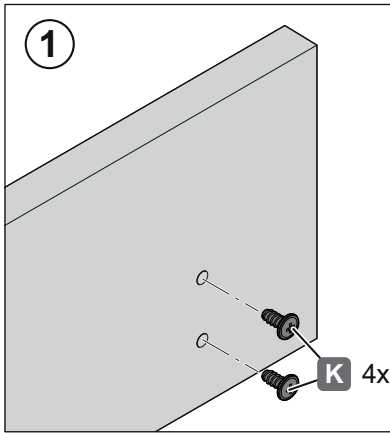
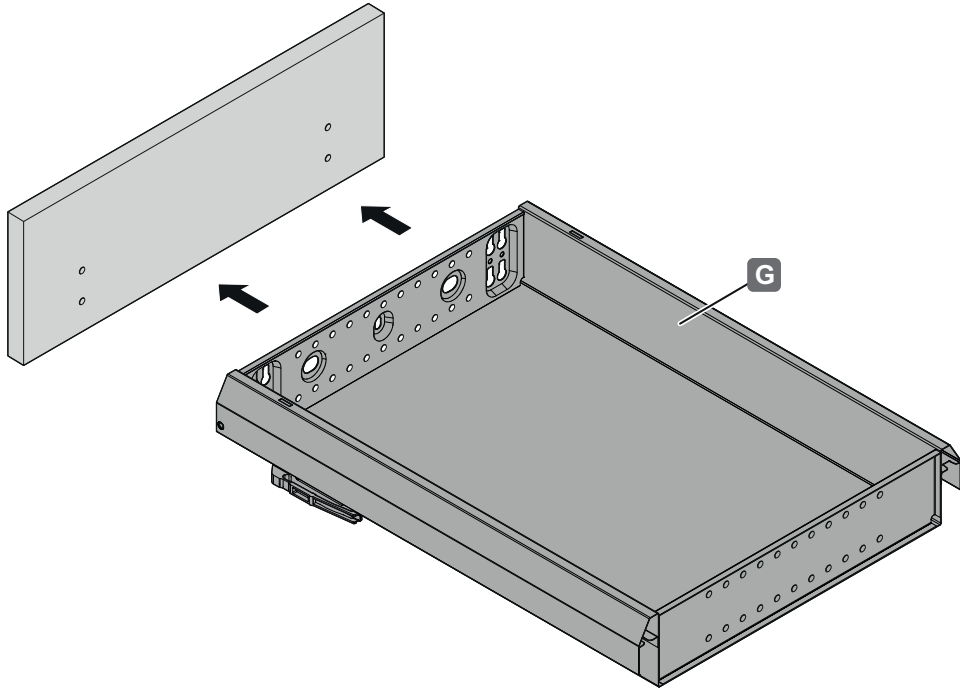
HDE 01.11.2021



732.24.220

HDE 01.11.2021

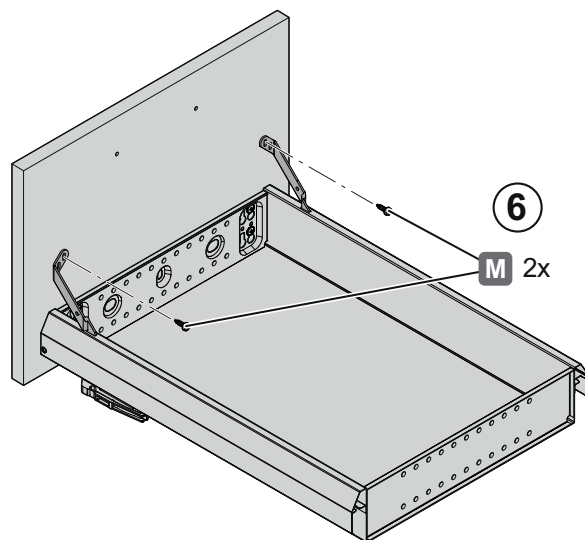
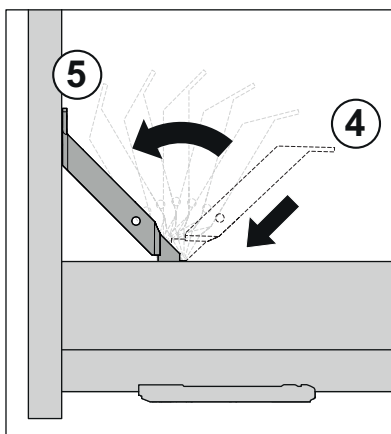
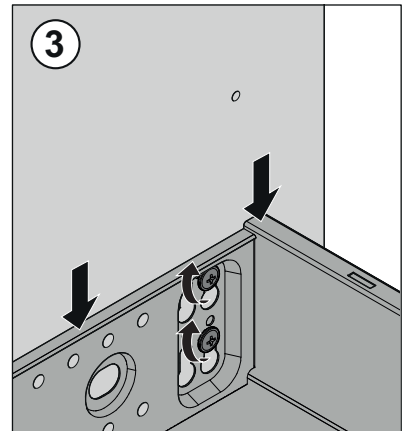
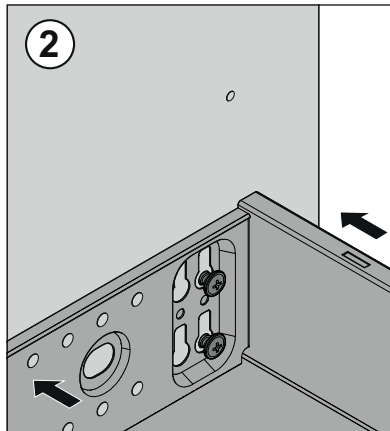
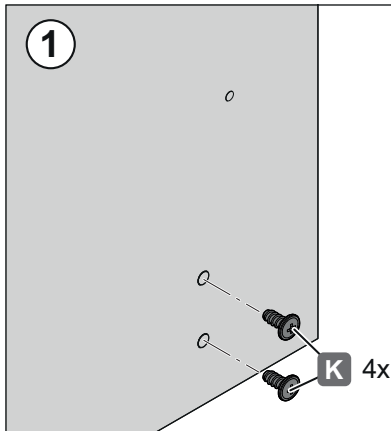
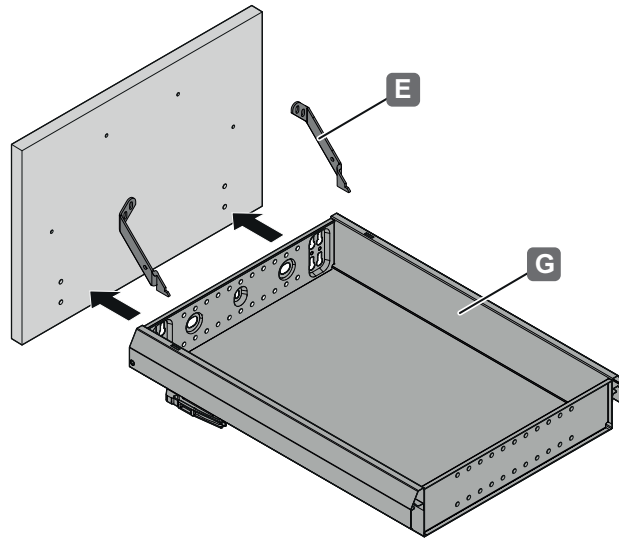
3



732.24.220

HDE 01.11.2021

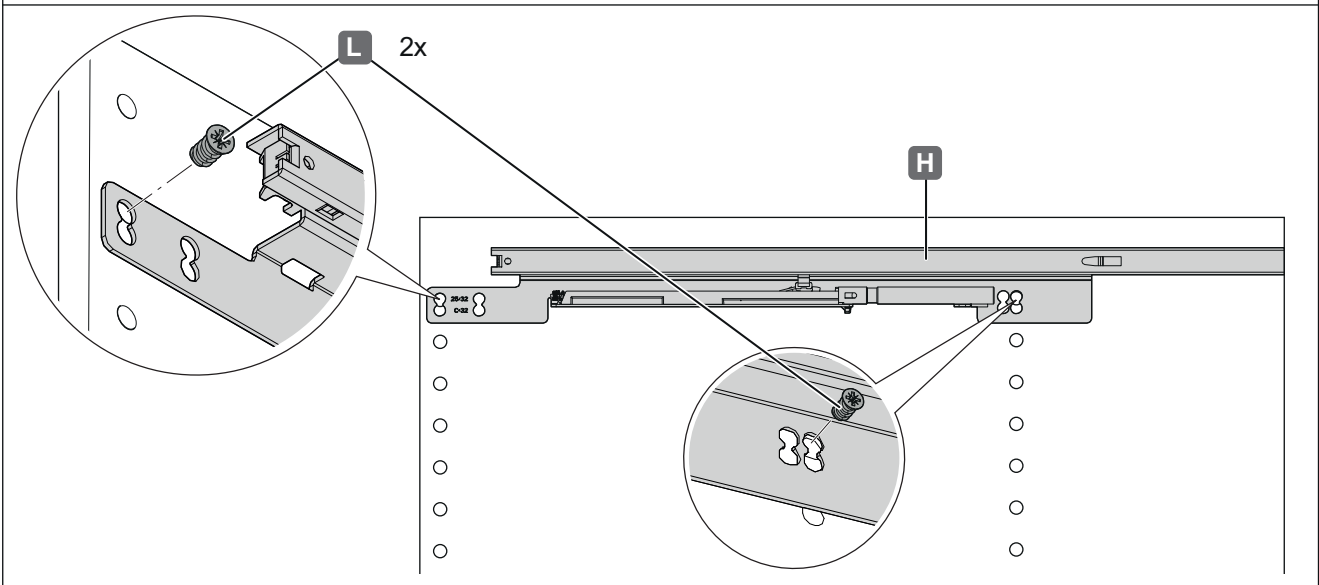
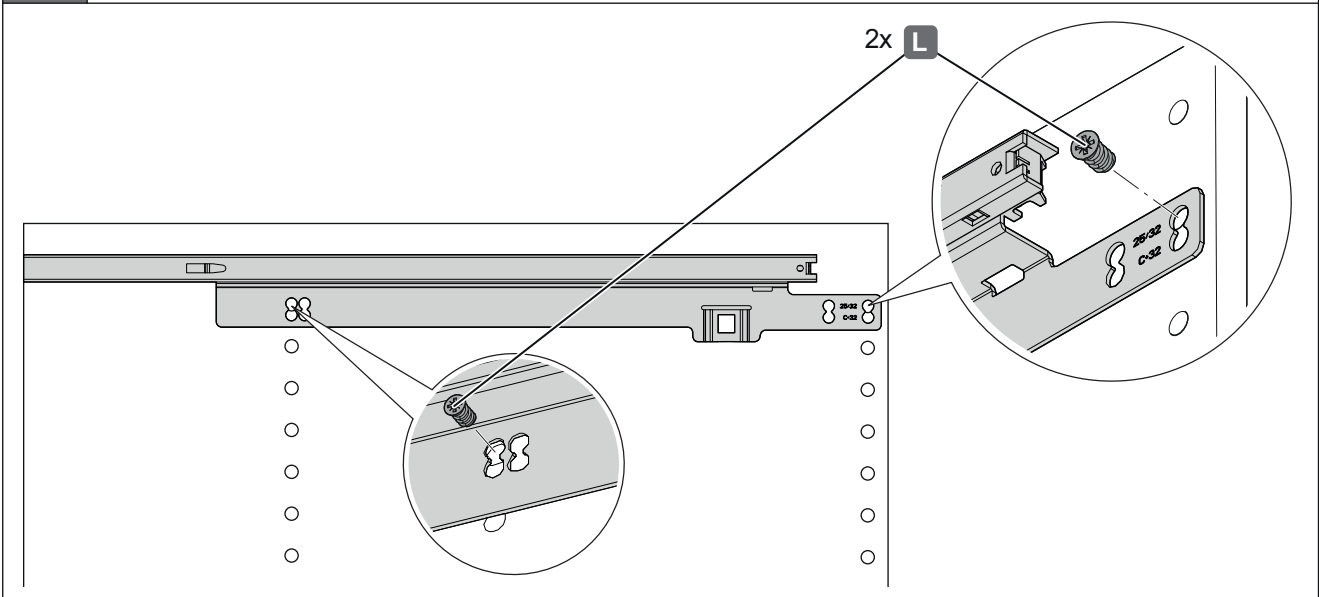
4



732.24.220

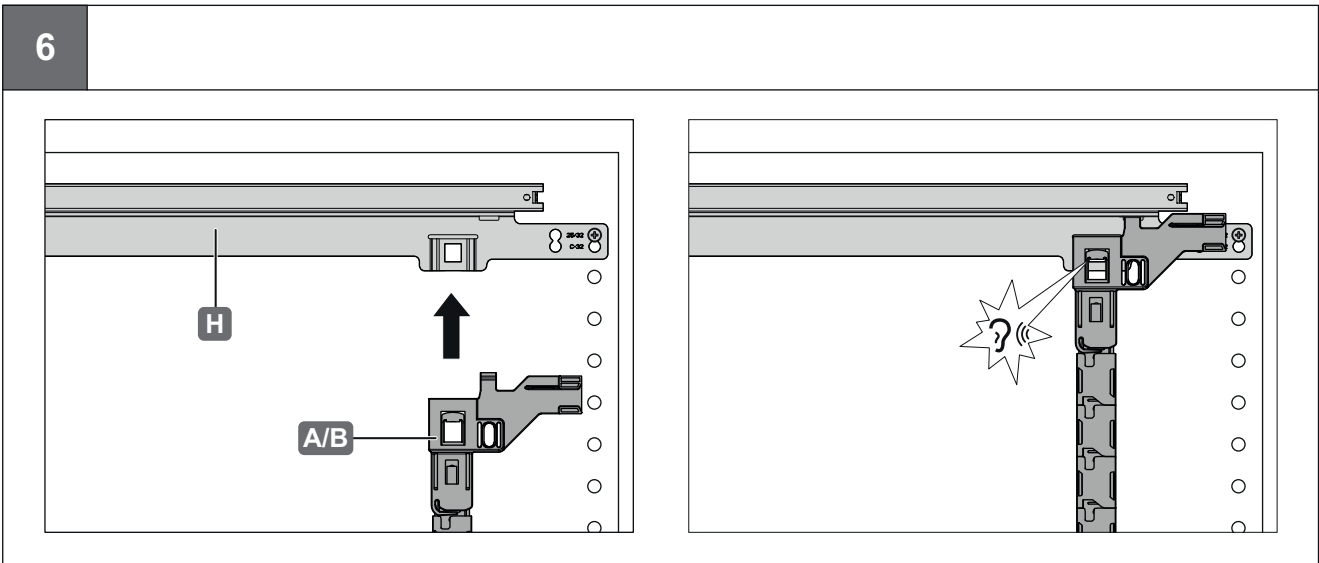
HDE 01.11.2021

5



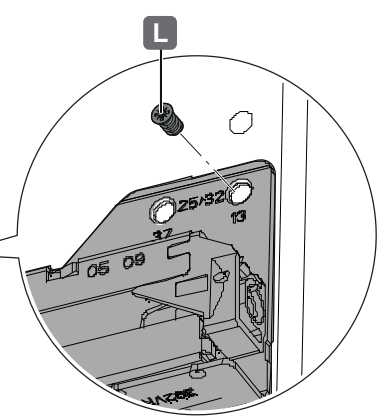
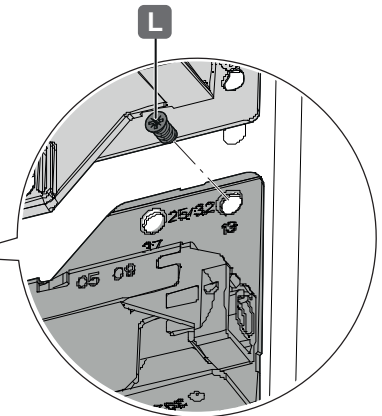
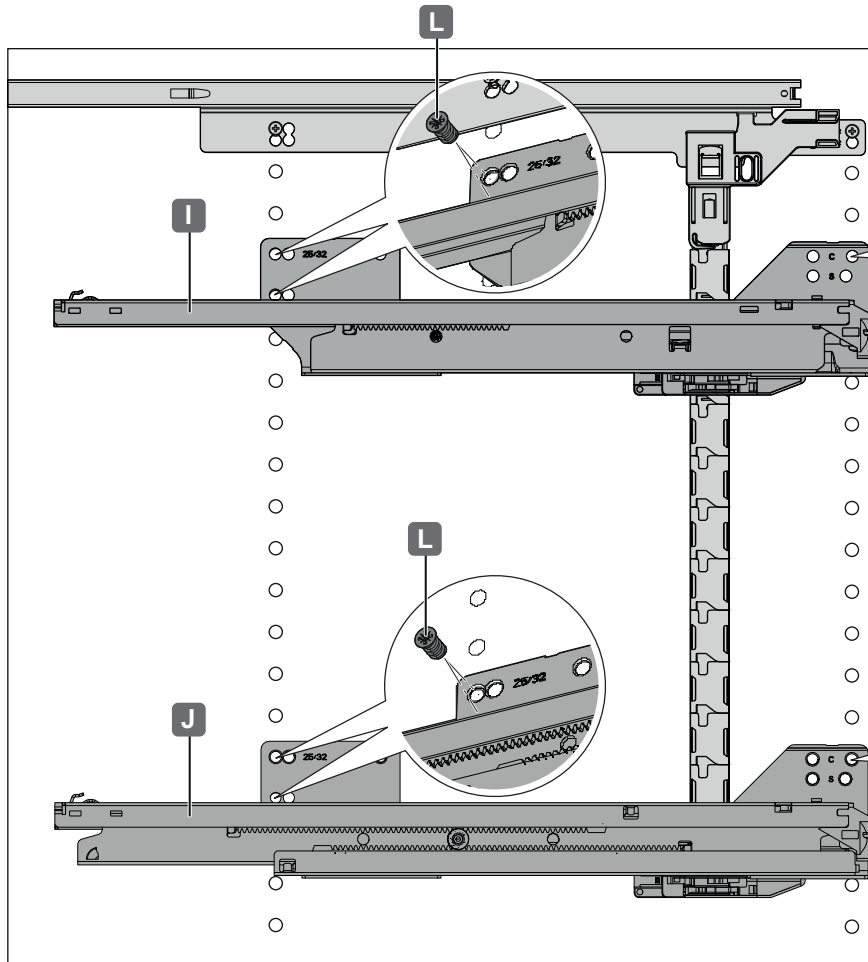
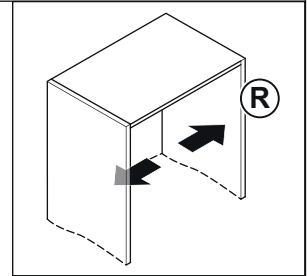
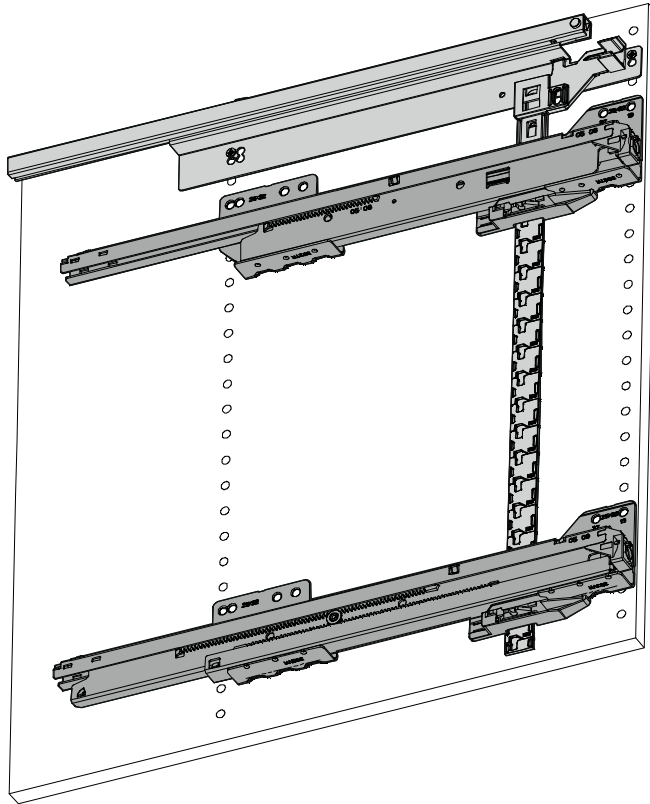
732.24.220

6



HDE 01.11.2021

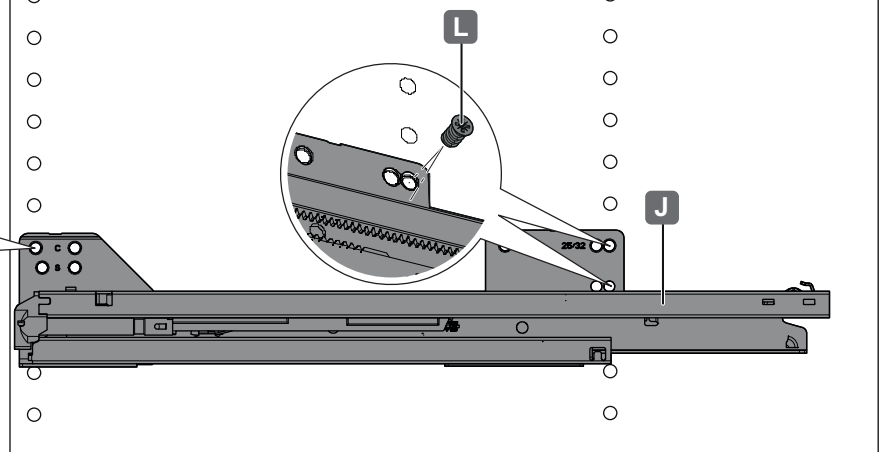
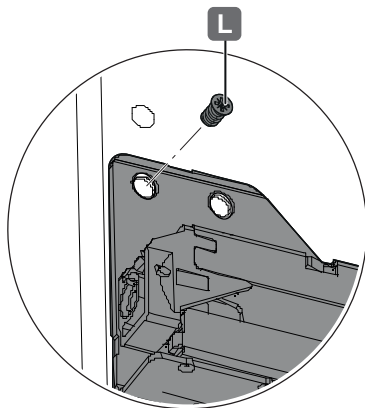
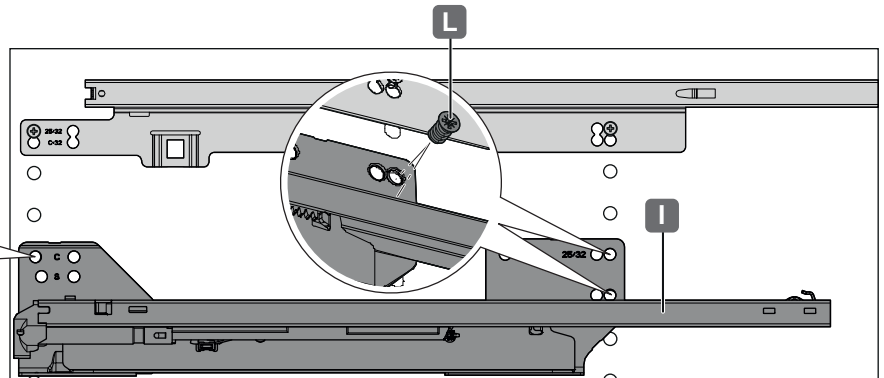
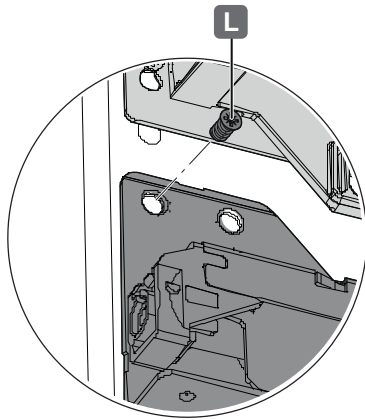
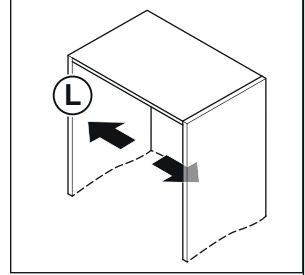
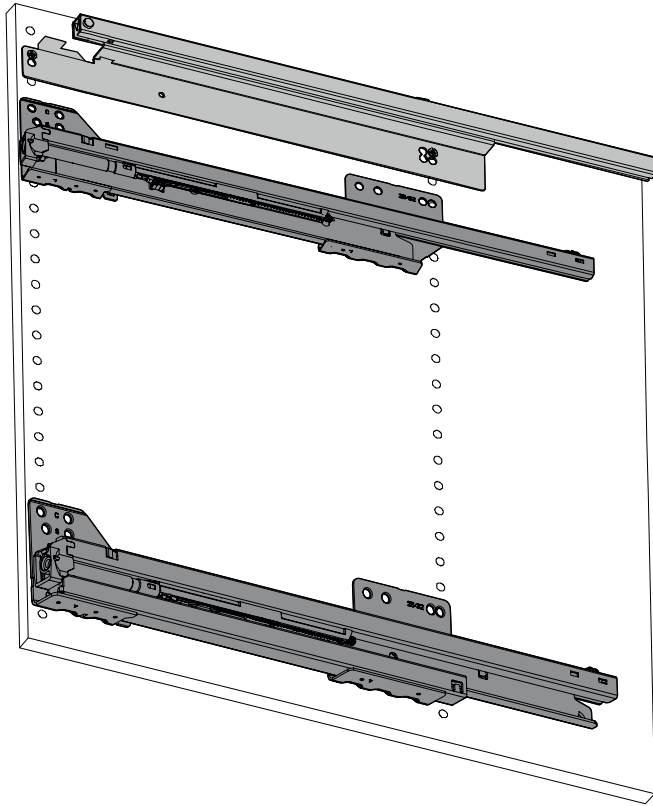
7



732.24.220

HDE 01.11.2021

8

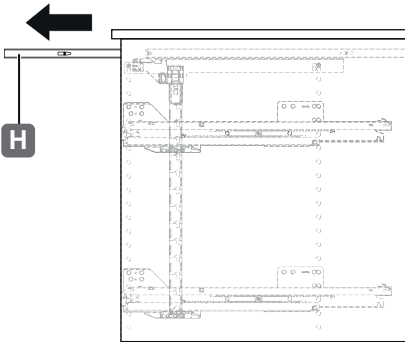


732.24.220

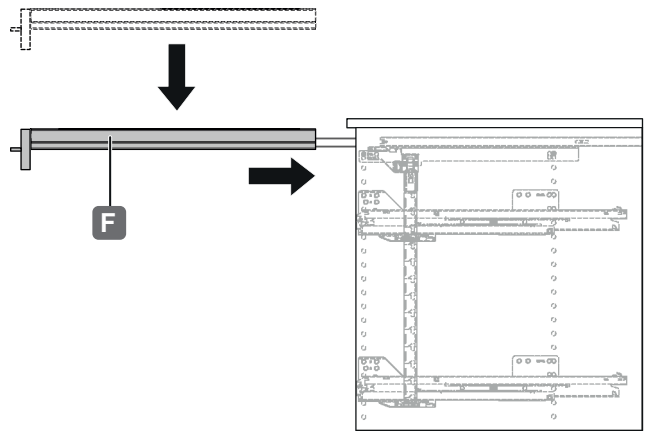
HDE 01.11.2021

9

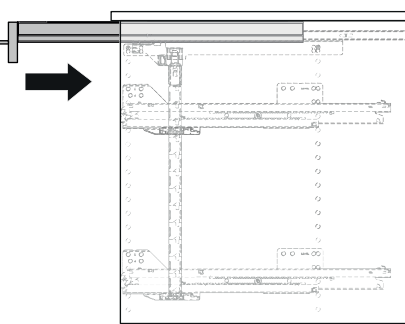
①



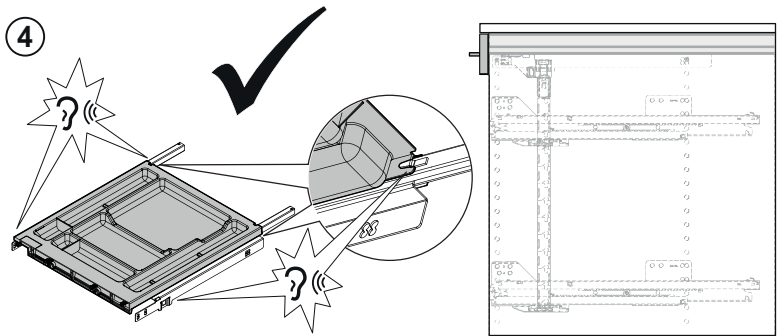
②



③

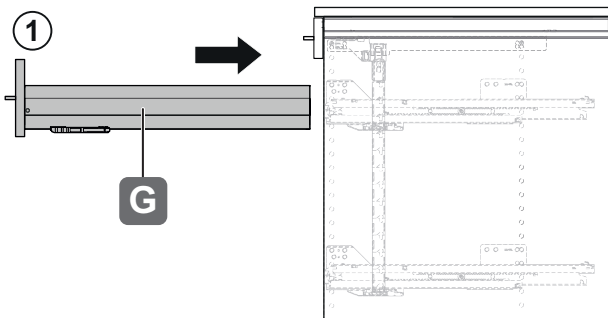


④

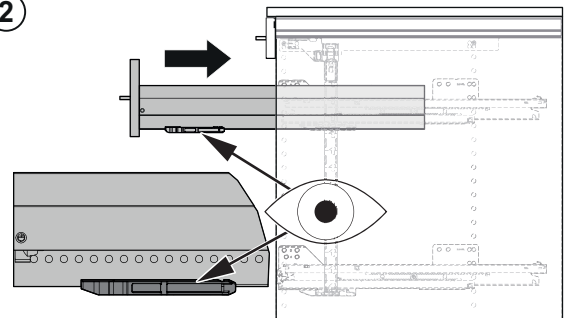


10

①

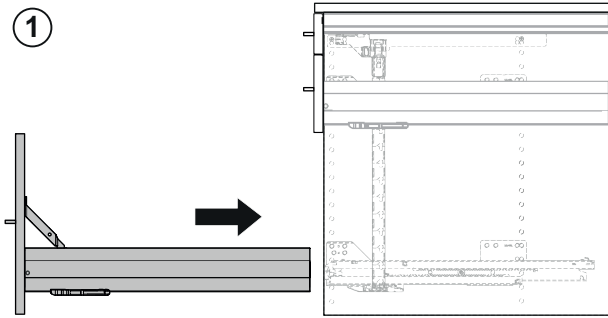


②

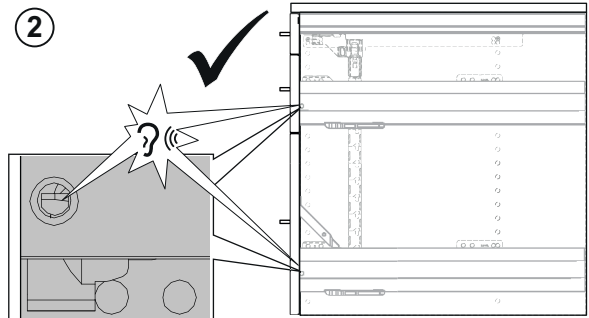


11

①



②



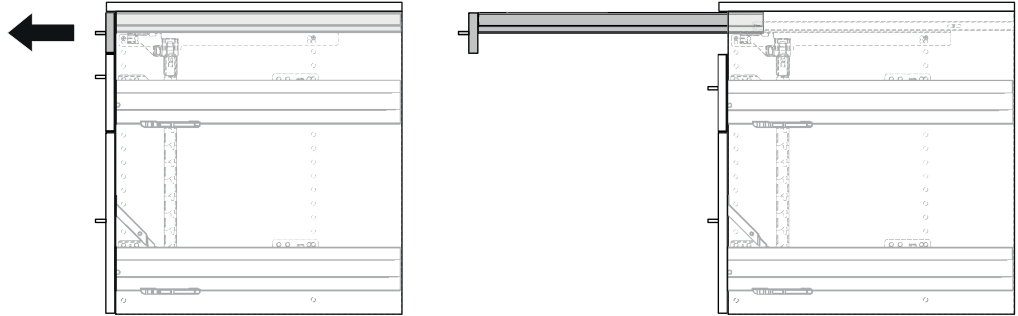
732.24.220

HDE 01.11.2021

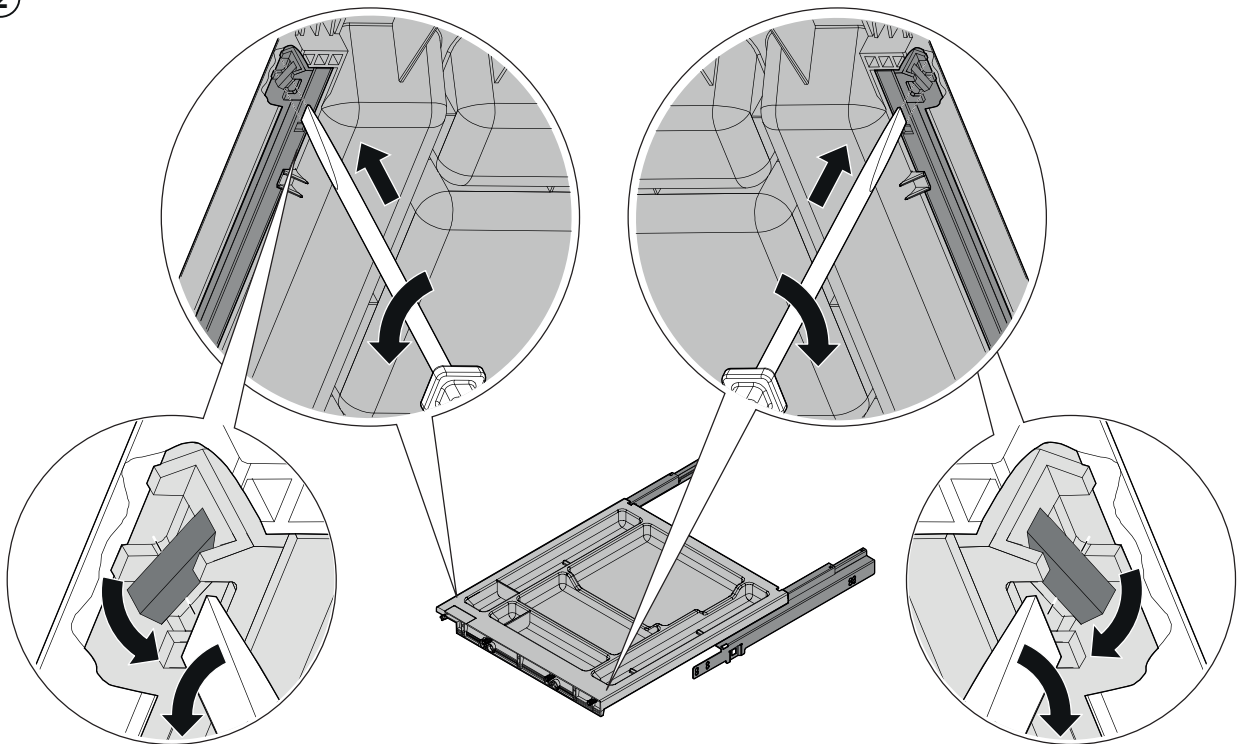
12



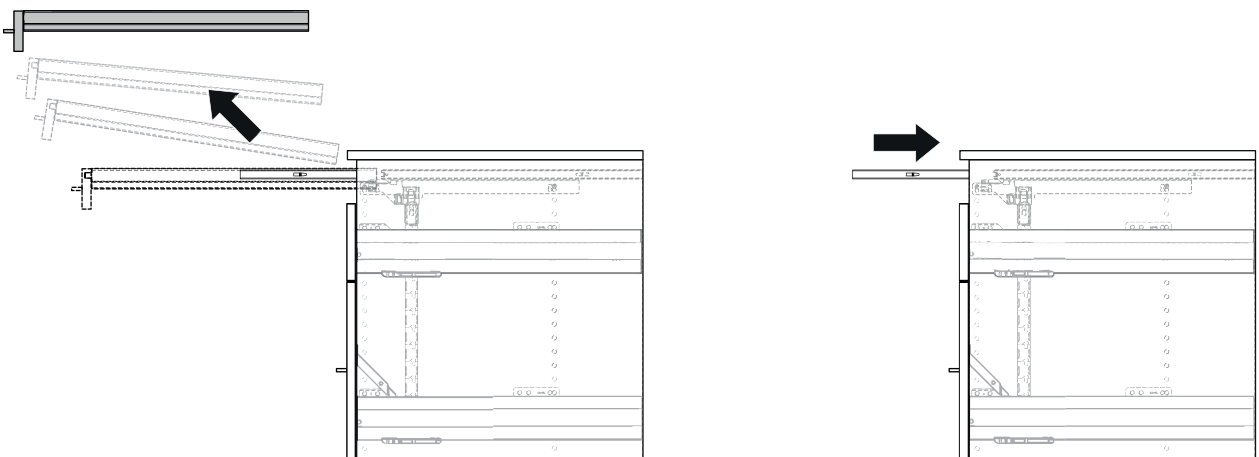
①



②



③

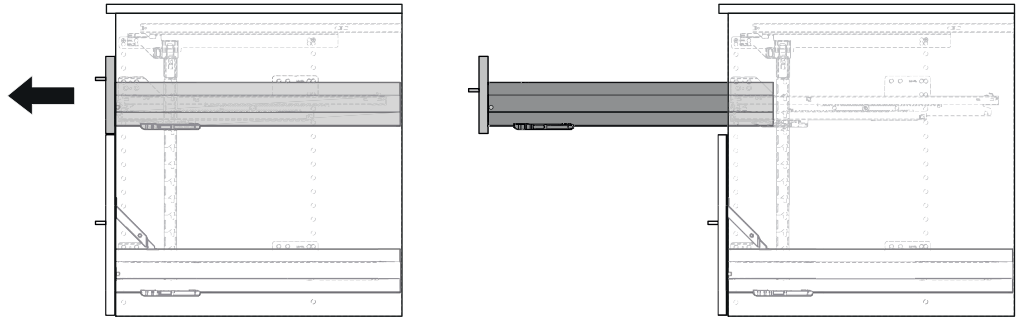


732.24.220

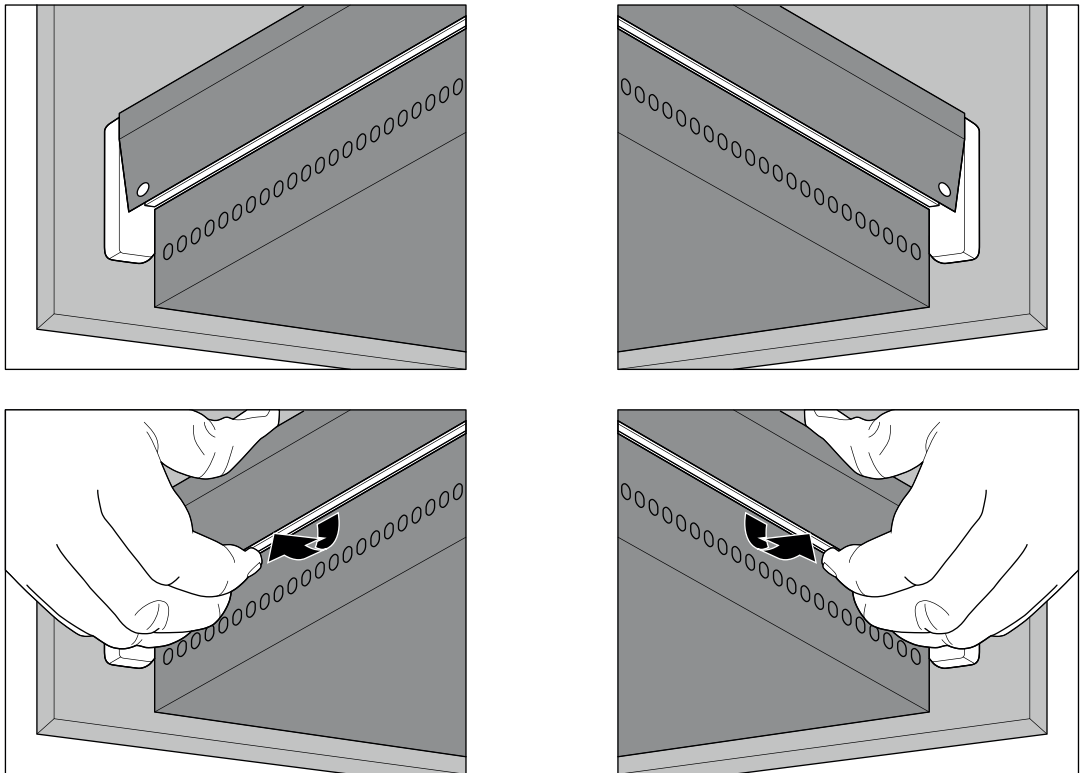
HDE 01.11.2021

13

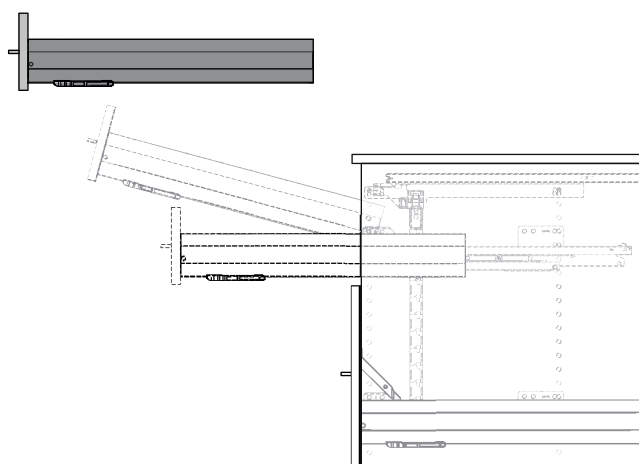
①



②



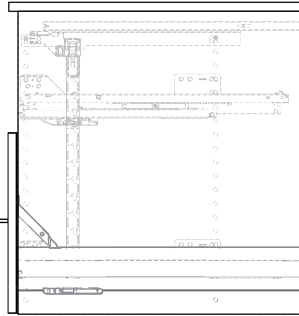
③



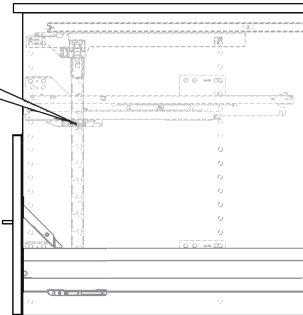
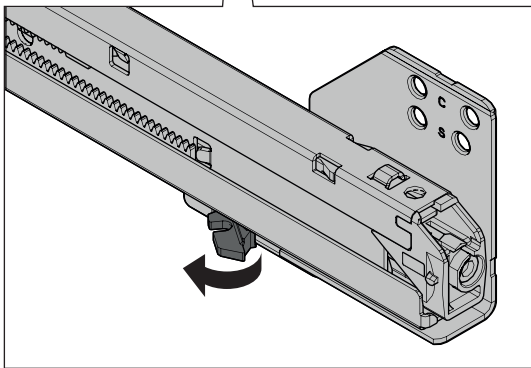
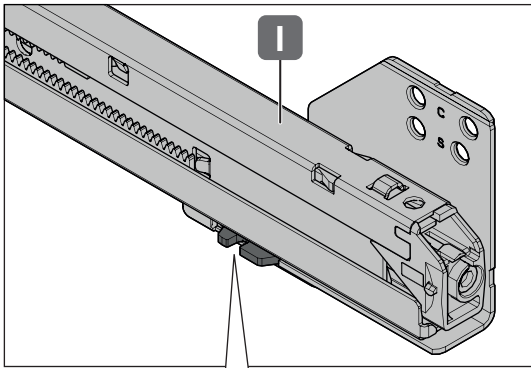
732.24.220

HDE 01.11.2021

14

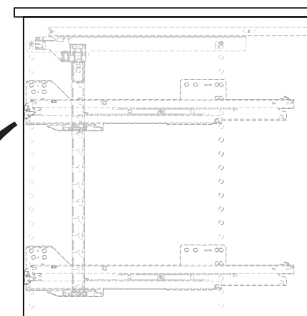
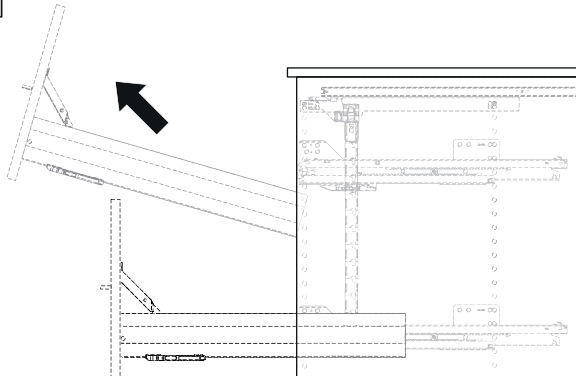
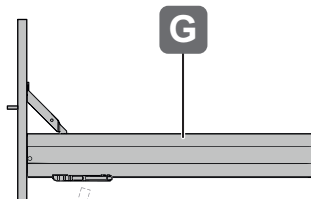


①



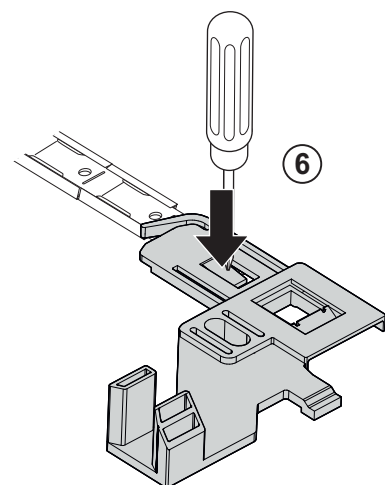
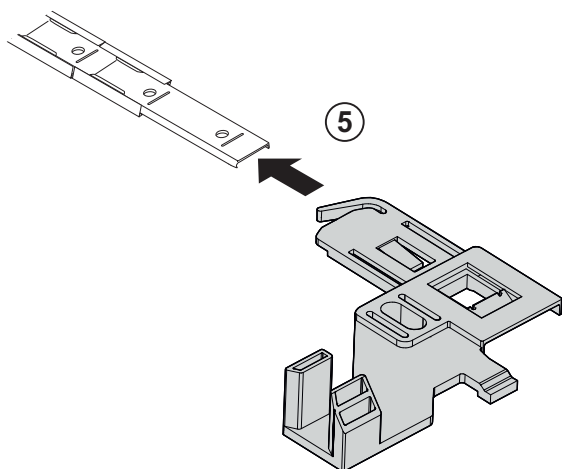
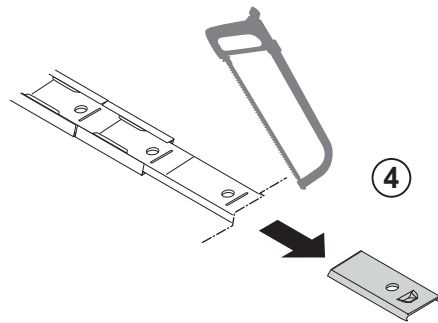
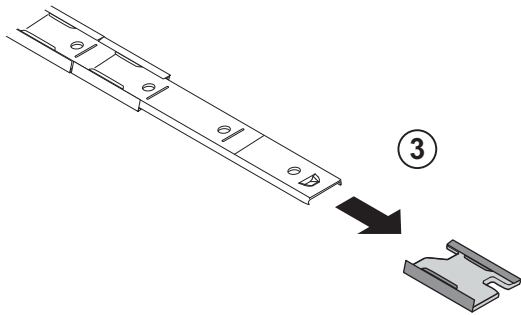
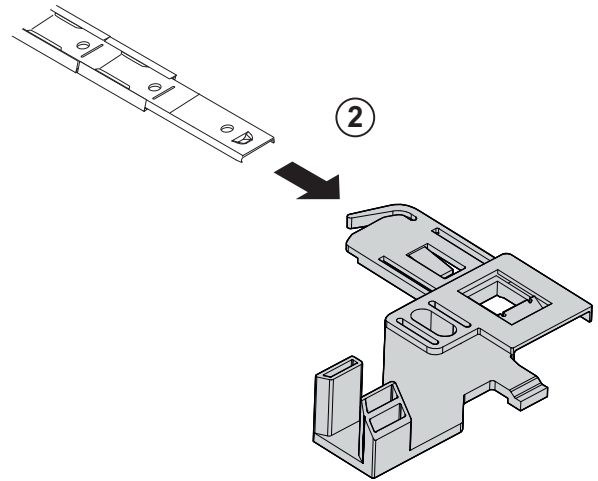
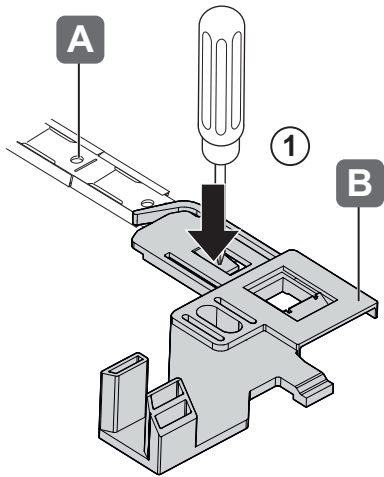
732.24.220

②



HDE 01.11.2021

i



732.24.220

HDE 01.11.2021