



www.hafele.com

#W6V

**A** **B** **C** 2x **D** 2x **E** 2x **F** 2x

**G** **H** **I** **J** **K** **L** **M** **N** 10x **O** **P**

<b>+</b>	<b>R</b>	<b>S</b>
	XXX.XX.XXX	372.64.79X

<b>+</b>	<b>T</b>	4x		4 x 10
	372.64.991			
	<b>U</b>	4x		4 x 16
	372.64.995			

<b>+</b>	<b>K</b>	CH	372.64.880
		DK	372.64.881
		GB	372.64.882
		IT	372.64.883

732.23.007

12.0001.010.326.0000.00

HDE 02.08.2012

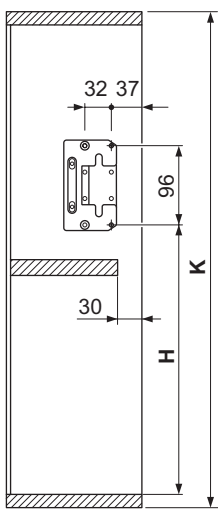
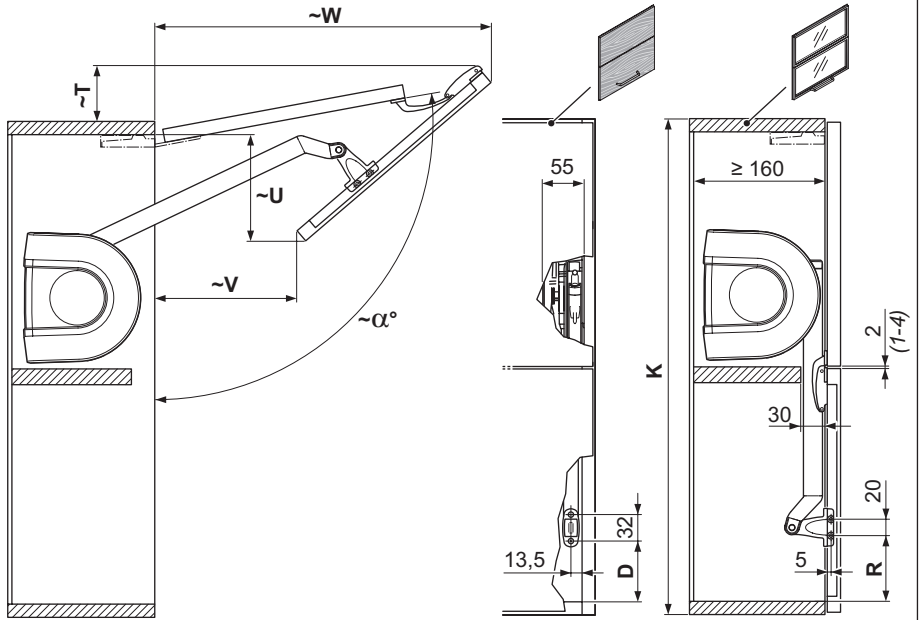
			EU (CE)	USA (UL)	AUS (UL)
 	540 - 580	2,5 - 6,5 kg	372.30.801	372.30.401	372.30.301
		6,0 - 11,0 kg	372.30.802	372.30.402	372.30.302
		9,5 - 18,0 kg	372.30.803	372.30.403	372.30.303
		13,0 - 22,0 kg	372.30.804	372.30.404	372.30.304
	580 - 640	2,5 - 6,0 kg	372.30.811	372.30.411	372.30.311
		5,5 - 10,0 kg	372.30.812	372.30.412	372.30.312
		7,5 - 17,0 kg	372.30.813	372.30.413	372.30.313
		12,0 - 21,0 kg	372.30.814	372.30.414	372.30.314
	640 - 700	3,0 - 5,5 kg	372.30.821	372.30.421	372.30.321
		5,5 - 9,0 kg	372.30.822	372.30.422	372.30.322
		7,0 - 14,5 kg	372.30.823	372.30.423	372.30.323
		10,5 - 18,5 kg	372.30.824	372.30.424	372.30.324
	700 - 780	3,0 - 5,0 kg	372.30.831	372.30.431	372.30.331
		4,5 - 8,0 kg	372.30.832	372.30.432	372.30.332
		7,0 - 14,0 kg	372.30.833	372.30.433	372.30.333
		9,0 - 16,5 kg	372.30.834	372.30.434	372.30.334
	780 - 840	4,5 - 8,0 kg	372.30.841	372.30.441	372.30.341
		7,0 - 11,0 kg	372.30.842	372.30.442	372.30.342
		9,0 - 14,0 kg	372.30.843	372.30.443	372.30.343
		5,0 - 10,0 kg	372.30.851	372.30.451	372.30.351
840 - 900	7,0 - 12,0 kg	372.30.852	372.30.452	372.30.352	

732.23.007

		372.64.796	(  )
		372.64.797	(  Euro )

12.0001.010.326.0000.00

HDE 02.08.2012



mm	$\alpha$ [°]	D	H	R	T	U	V	W
<b>540 - 580</b>	101	57,5	290	63,5	70	139	192	380
<b>580 - 640</b>	100	73,5	326	79,5	70	130	170	405
<b>640 - 700</b>	103	67,5	340	73,5	95	160	220	425
<b>700 - 780</b>	102	75,5	378	81,5	96	207	261	456
<b>780 - 840</b>	100	71,5	392	77,5	85	255	260	500
<b>840 - 900</b>	102	47,5	400	53,5	120	260	315	525

732.23.007

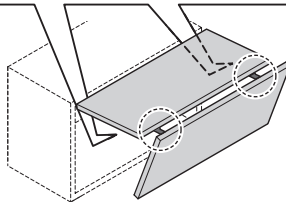
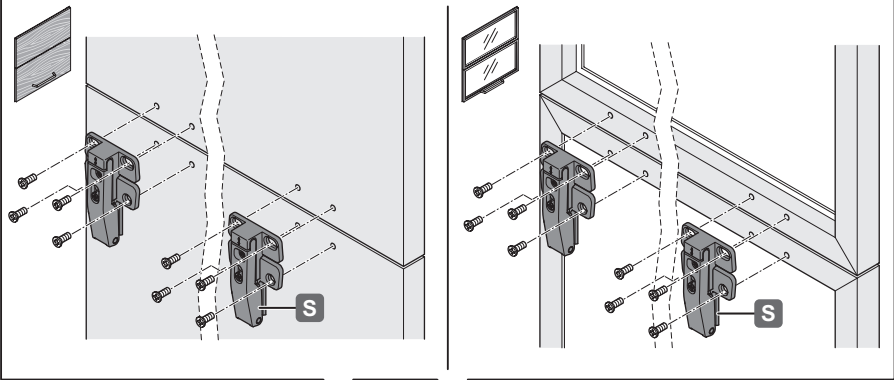
12.0001.010.326.0000.00

HDE 02.08.2012



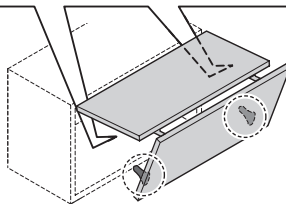
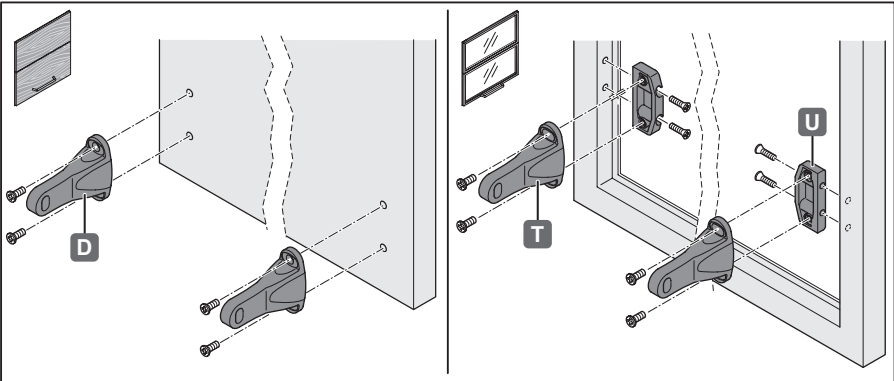


4



732.23.007

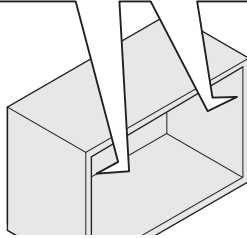
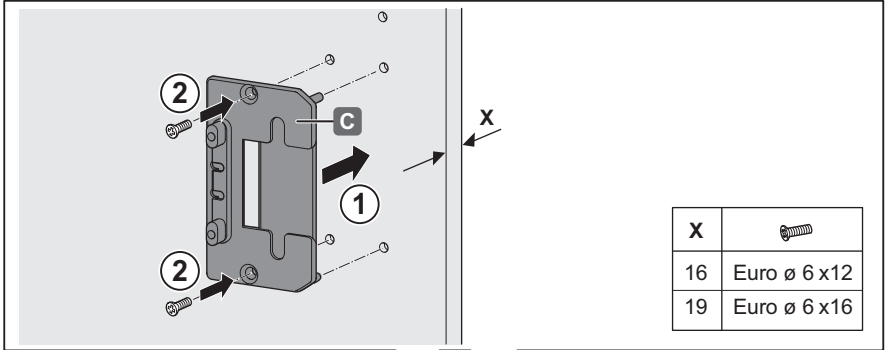
5



12.0001.010.326.0000.00

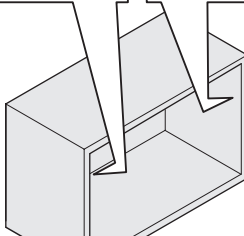
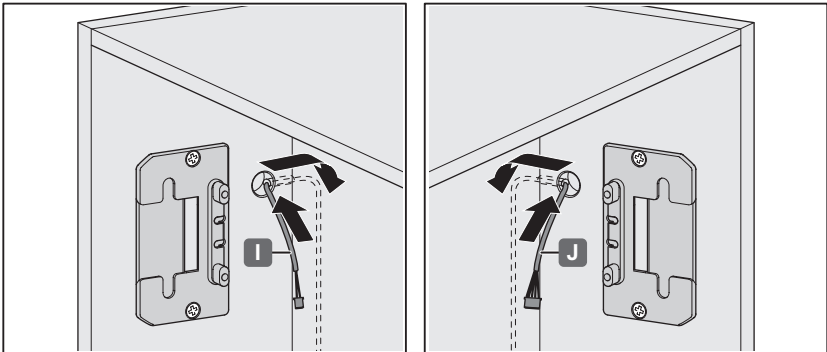
HDE 02.08.2012

6



732.23.007

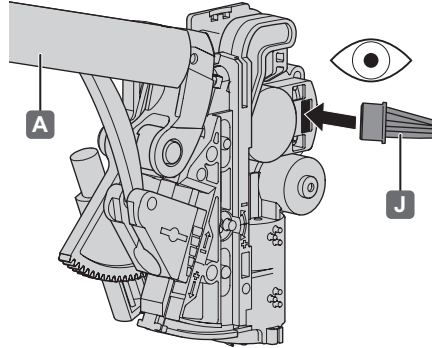
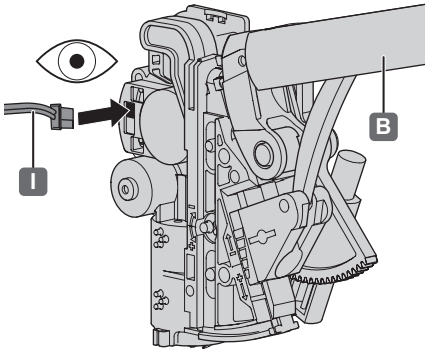
7



12.0001.010.326.0000.00

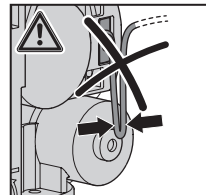
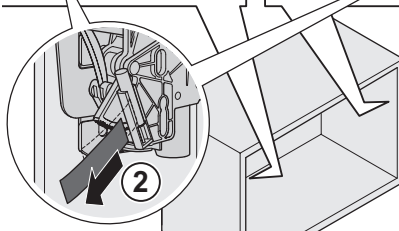
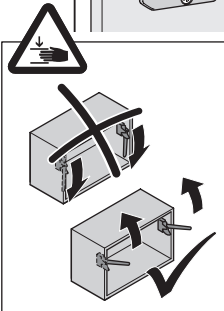
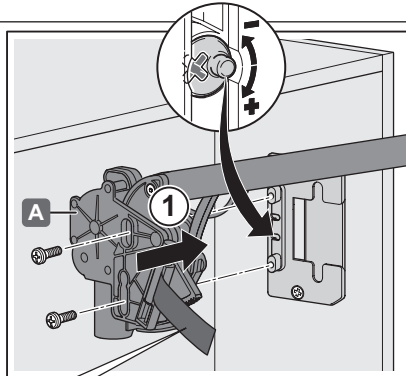
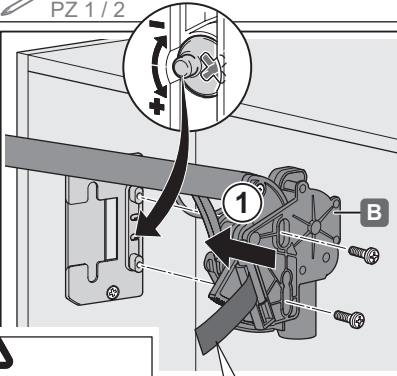
HDE 02.08.2012

8



732.23.007

9



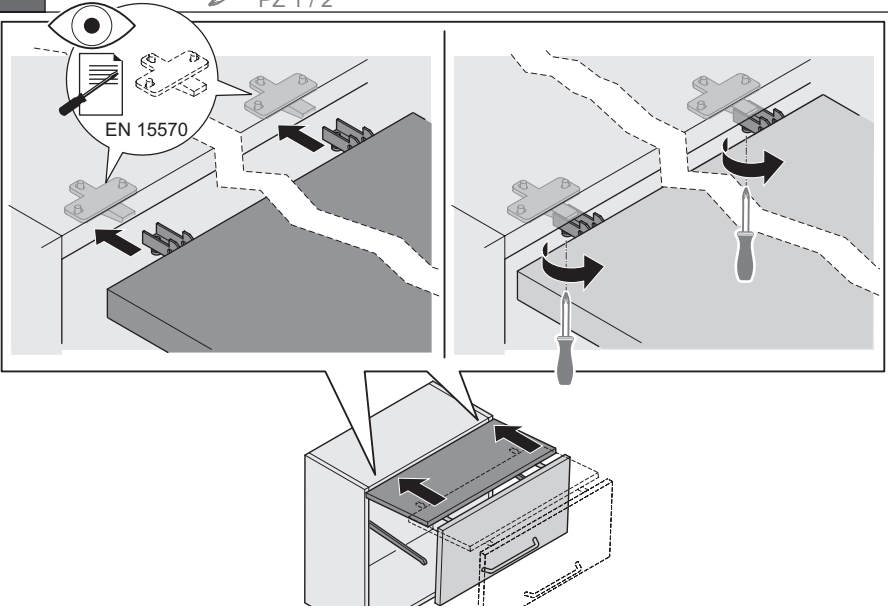
12.0001.010.326.0000.00

HDE 02.08.2012



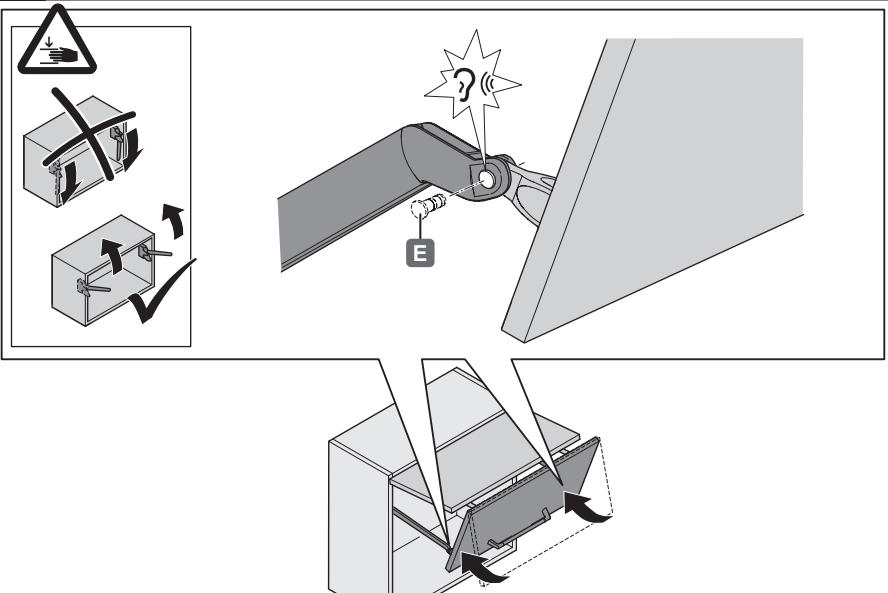
10

 PZ 1/2



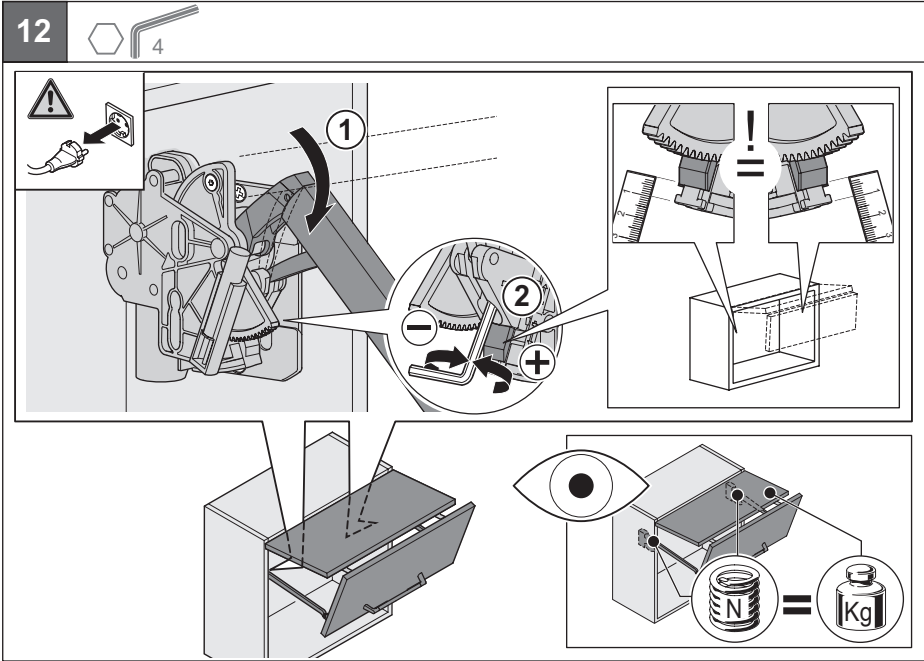
732.23.007

11

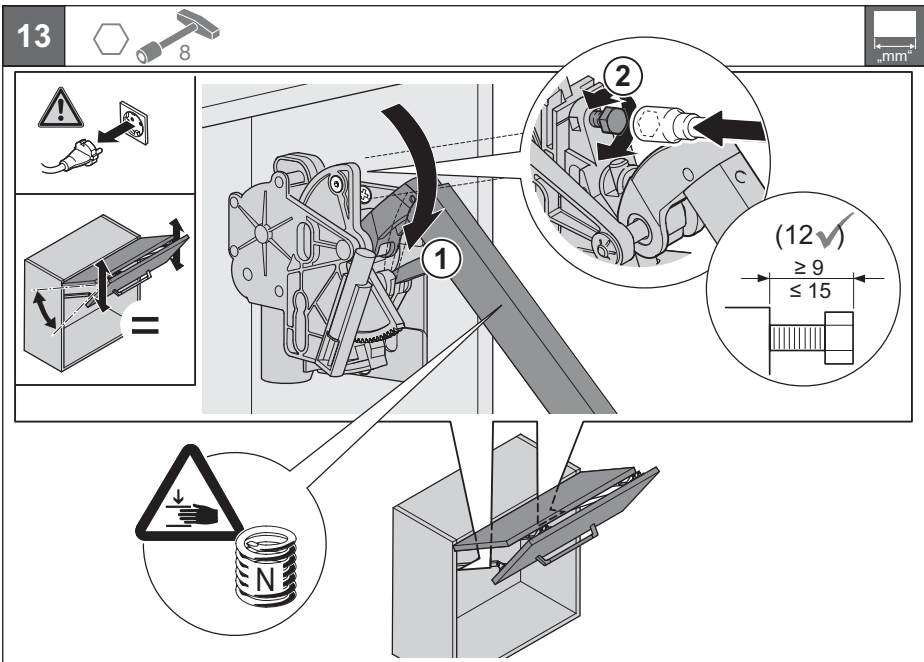


12.0001.010.326.0000.00

HDE 02.08.2012



732.23.007



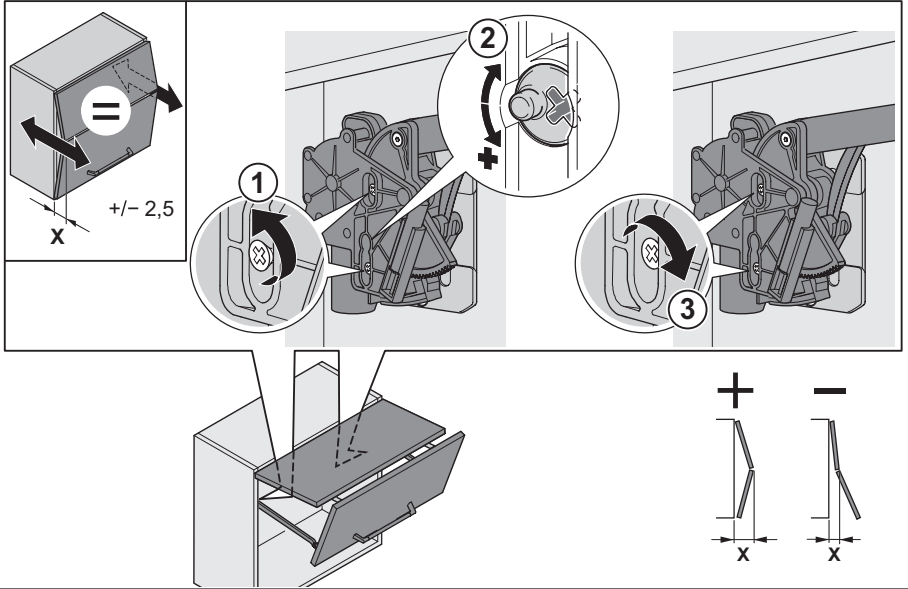
12.0001.010.326.0000.00

HDE 02.08.2012

14



PZ 1/2

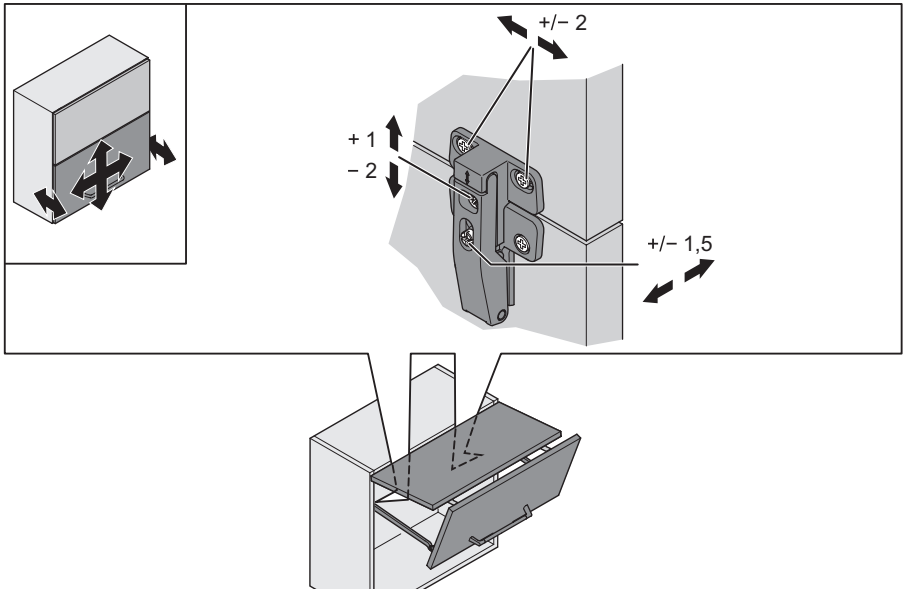


732.23.007

15



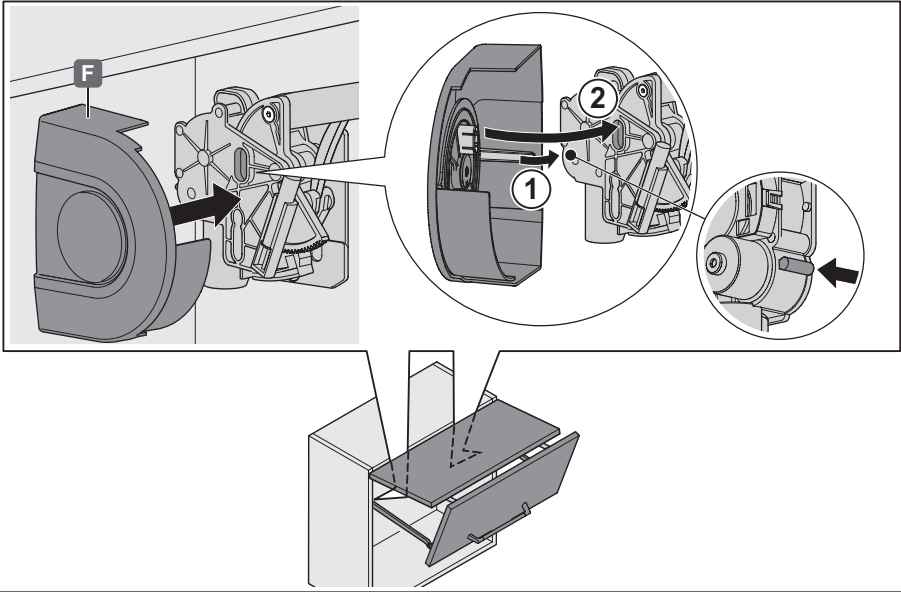
PZ 1/2



12.0001.010.326.0000.00

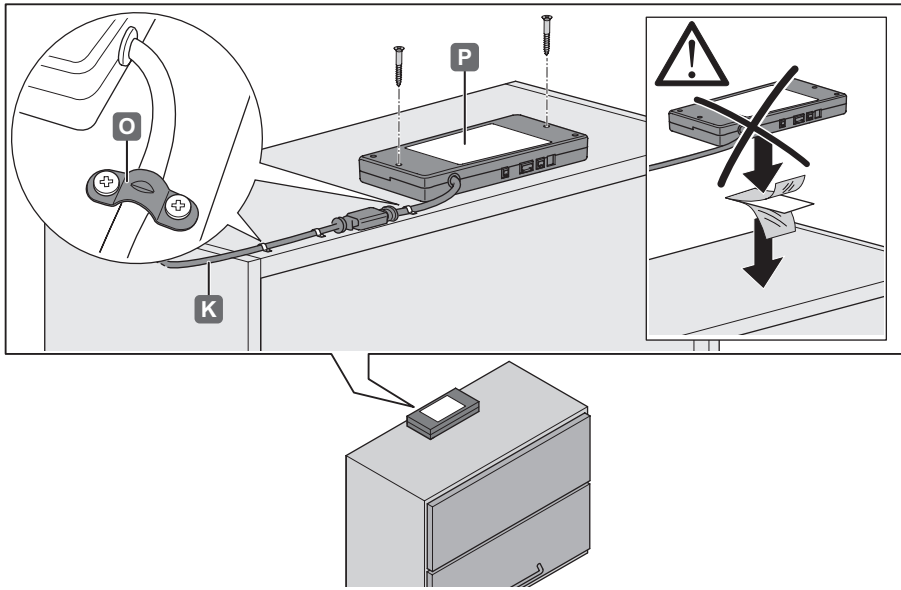
HDE 02.08.2012

16



732.23.007

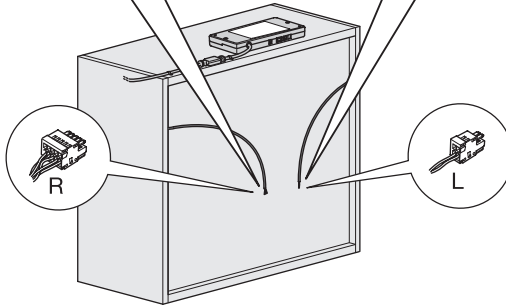
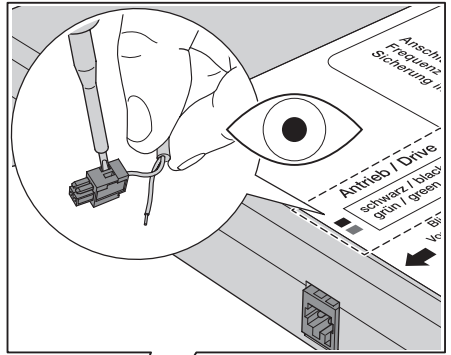
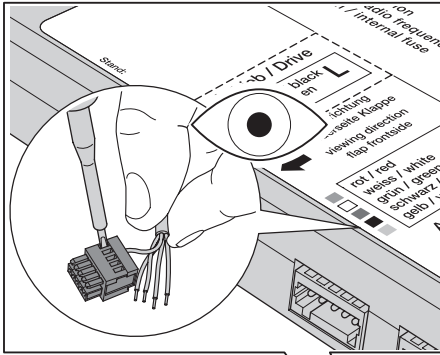
17



12.0001.010.326.0000.00

HDE 02.08.2012

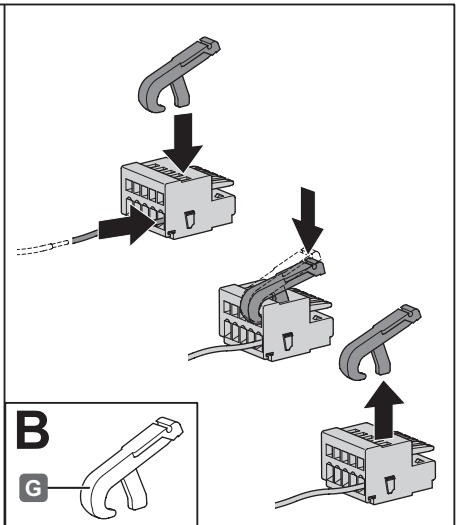
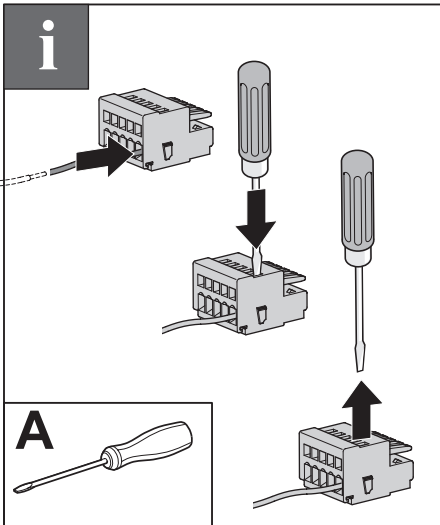
18



732.23.007

12.0001.010.326.0000.00

HDE 02.08.2012





732.23.007

12.0001.010.326.0000.00

HDE 02.08.2012

732.23.007

12.0001.010.326.0000.00

HDE 02.08.2012