
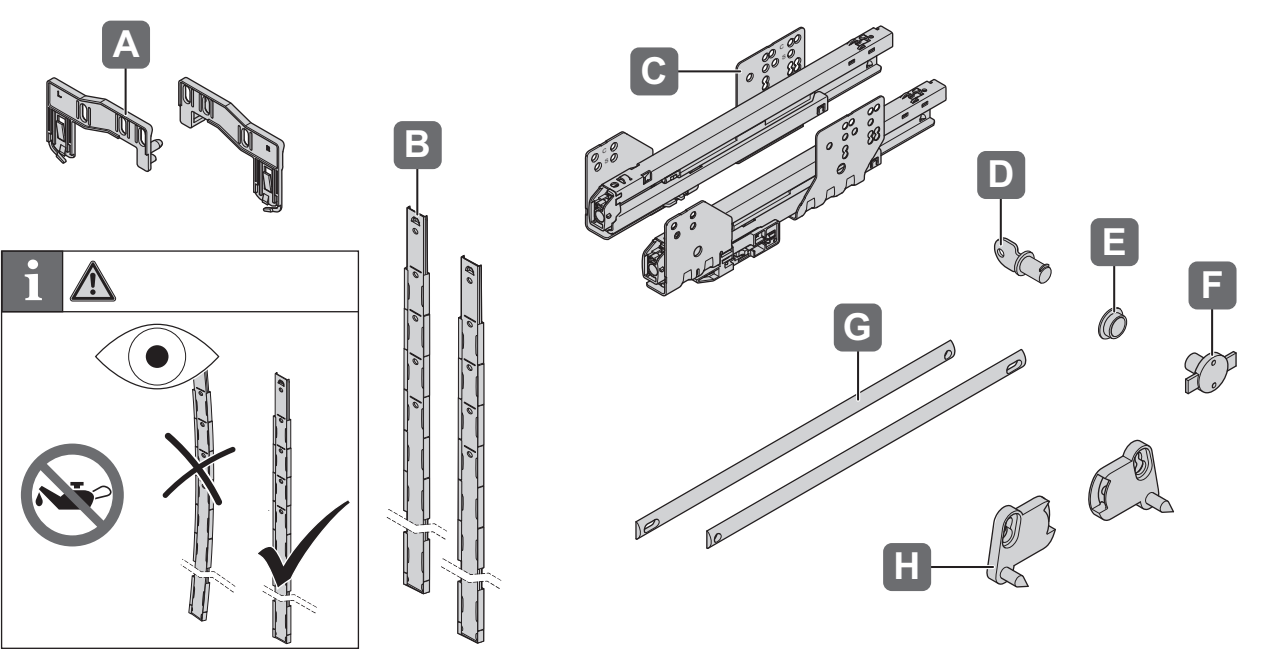





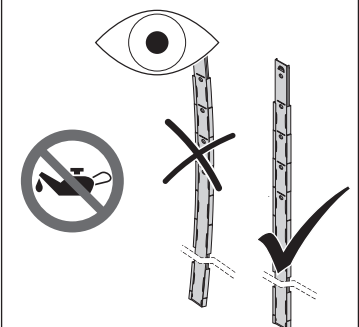
## Variant S

237.88.5xx	425.70.3xx
237.88.6xx	425.71.2xx
425.12.272	425.71.3xx
425.12.273	425.71.902
425.12.372	425.71.921
425.12.373	425.72.67x
425.56.040	429.24.232
425.70.2xx	429.24.336
425.70.3xx	429.42.280
425.71.2xx	429.42.380

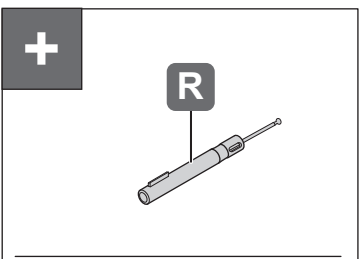




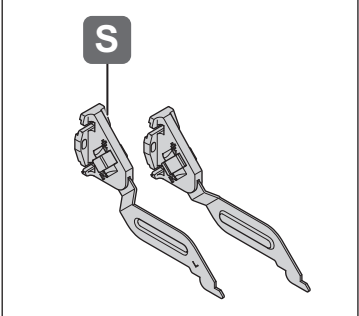
**i** 




**+**




**S**




**I** 262.34.952

2x 


**J** 015.71.633

4x 


**K** 013.10.190

2x 


**L** 015.31.844

2x 


**M** 013.10.149

2x 

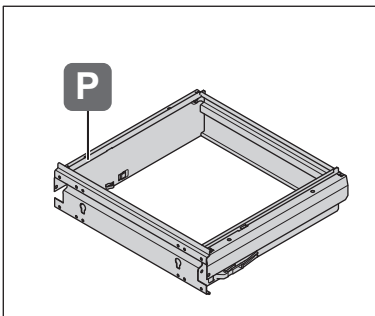
**N** 015.71.633

2x 

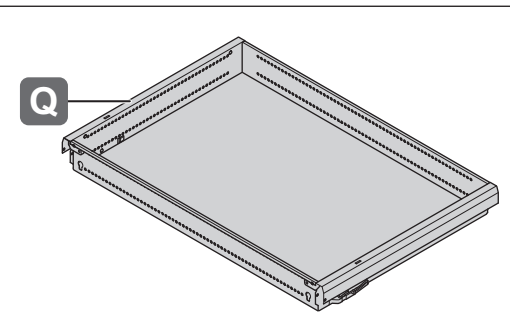
**O** 013.20.930

6x 

**P**



**Q**

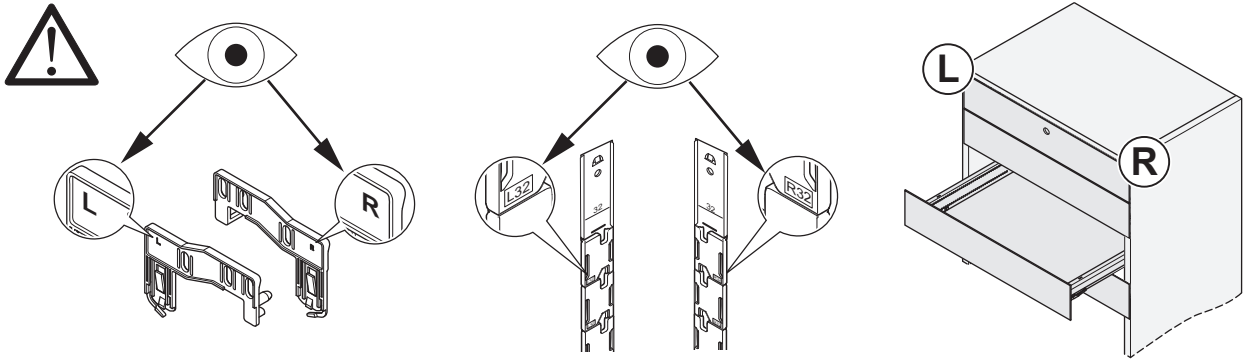


732.24.205

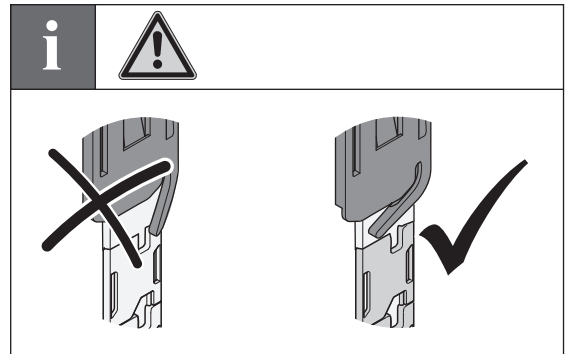
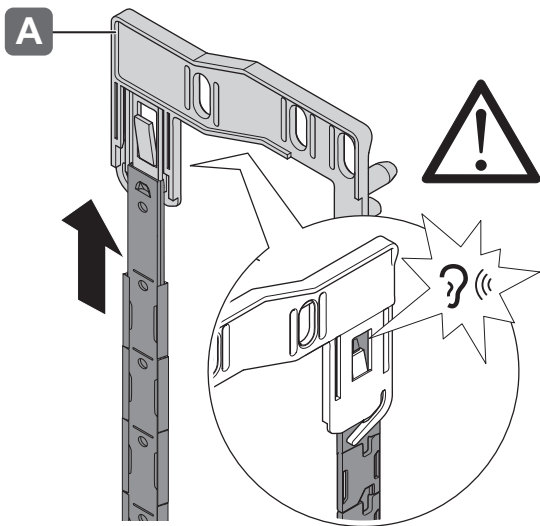
HDE 09/2014

1/8

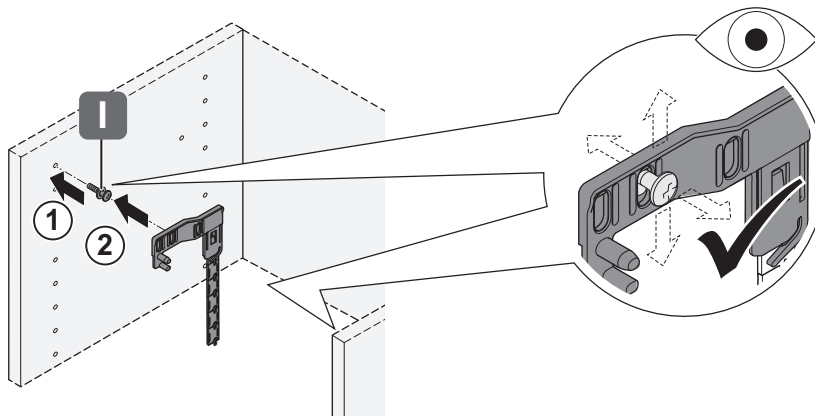
i



1



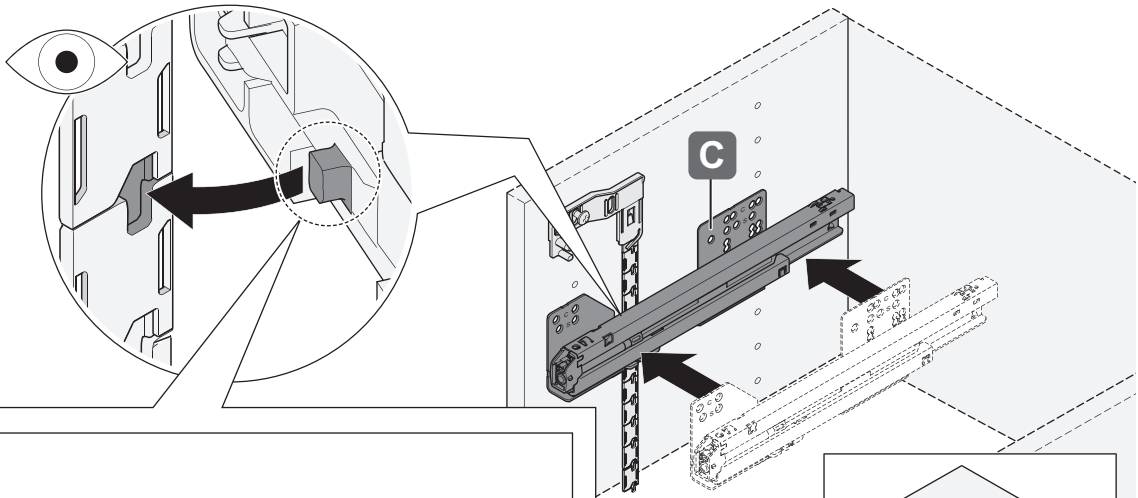
2



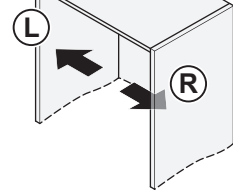
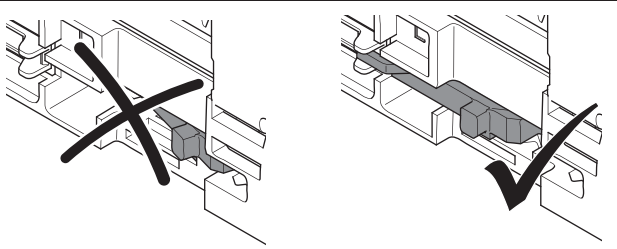
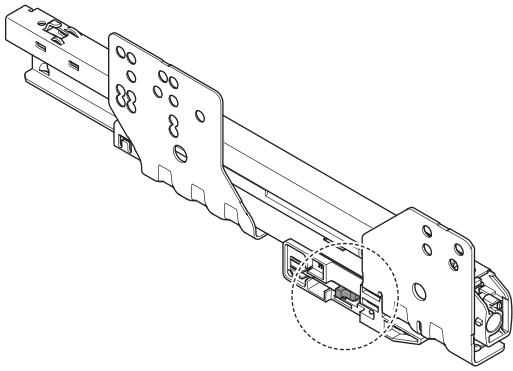
732.24.205

HDE 09/2014

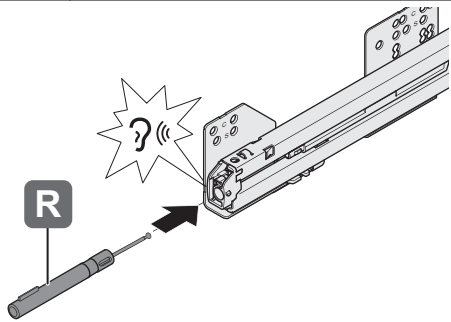
3



**i**



**+**

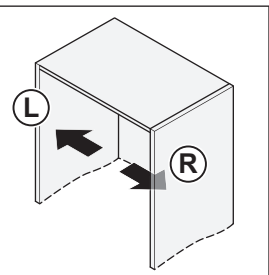
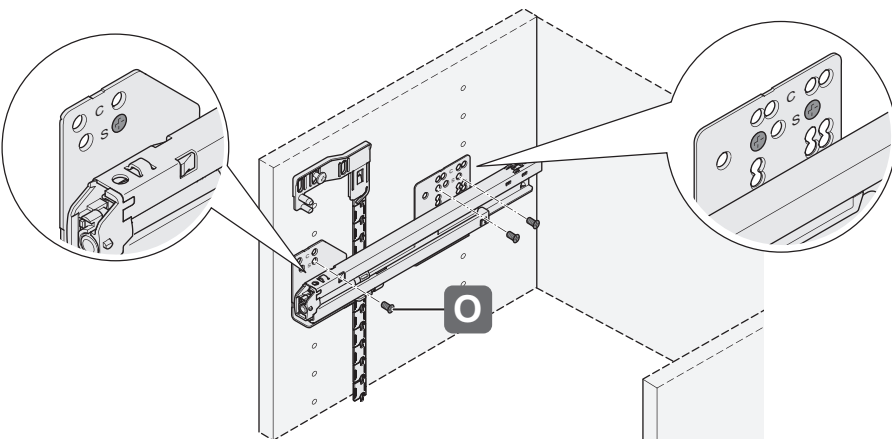


732.24.205

4

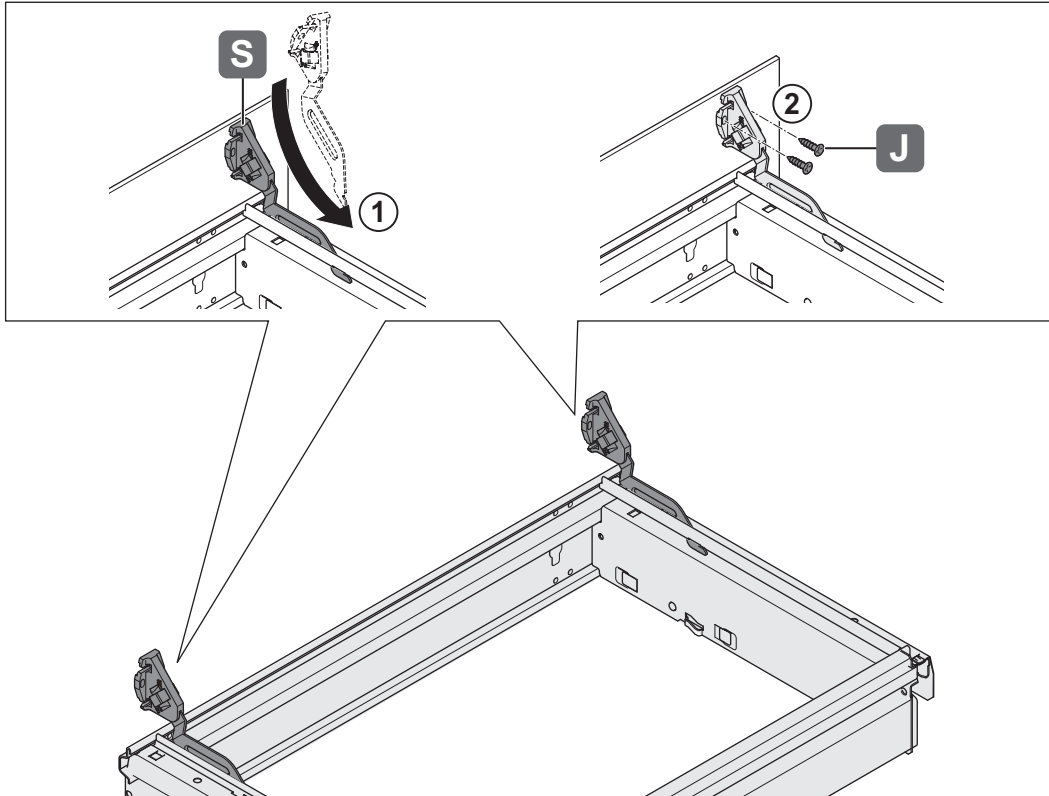
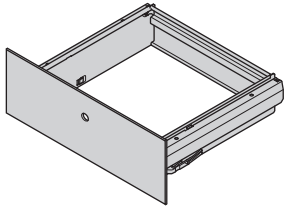


6x **VARIANTA**  
Ø 5

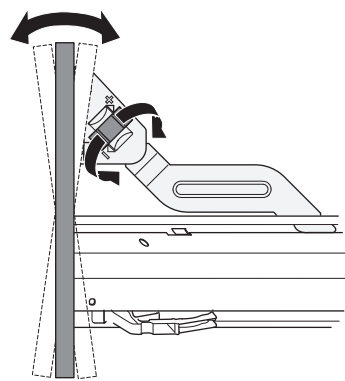
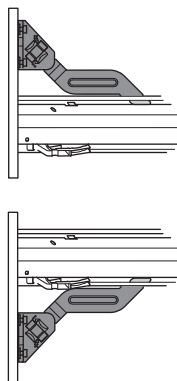
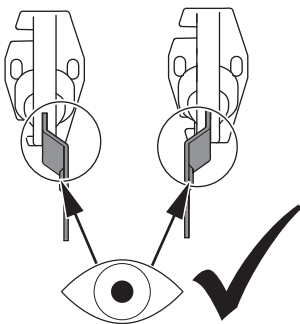


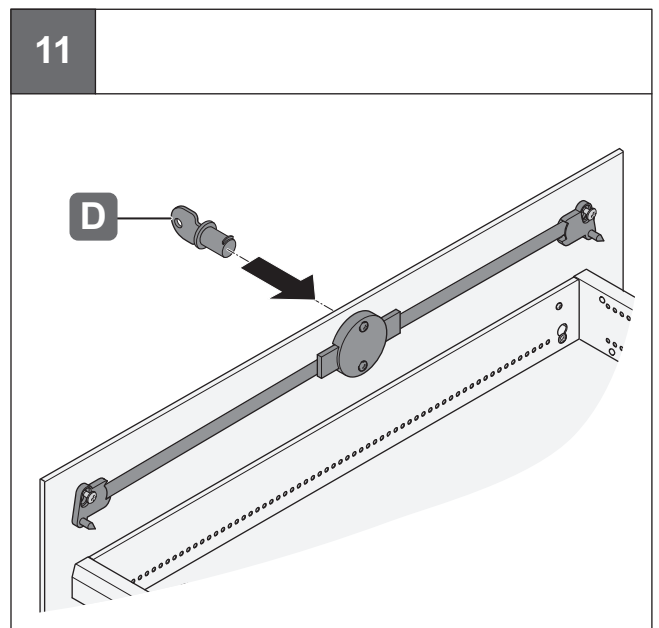
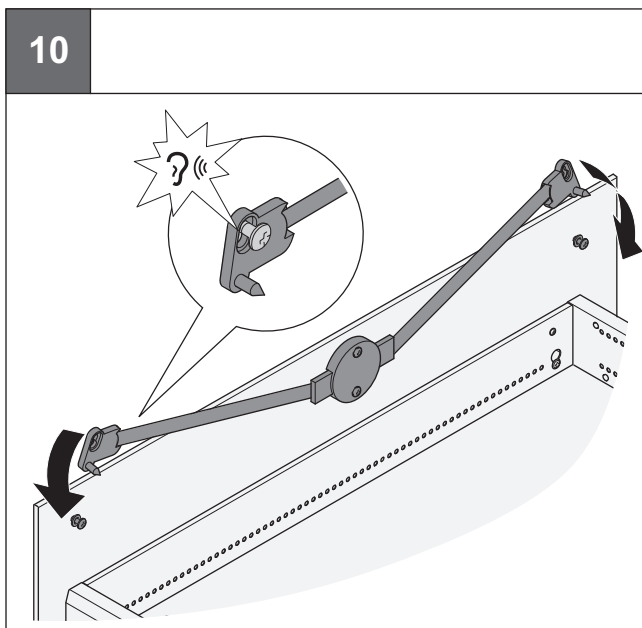
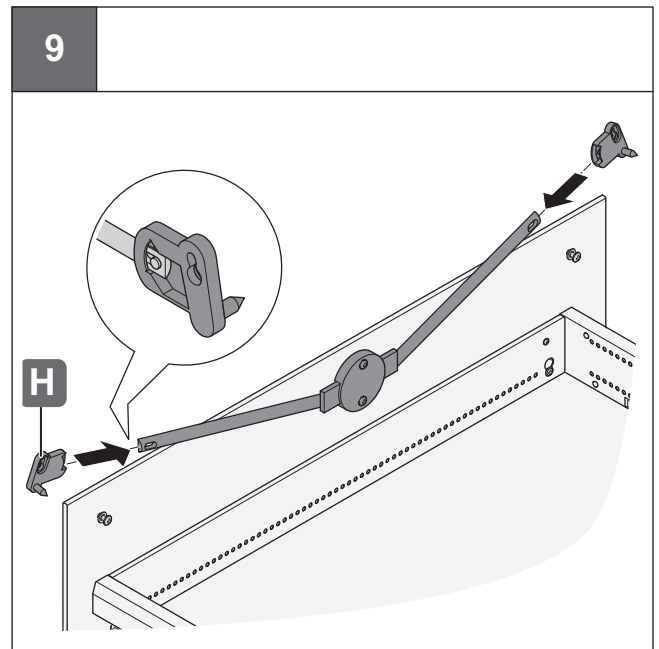
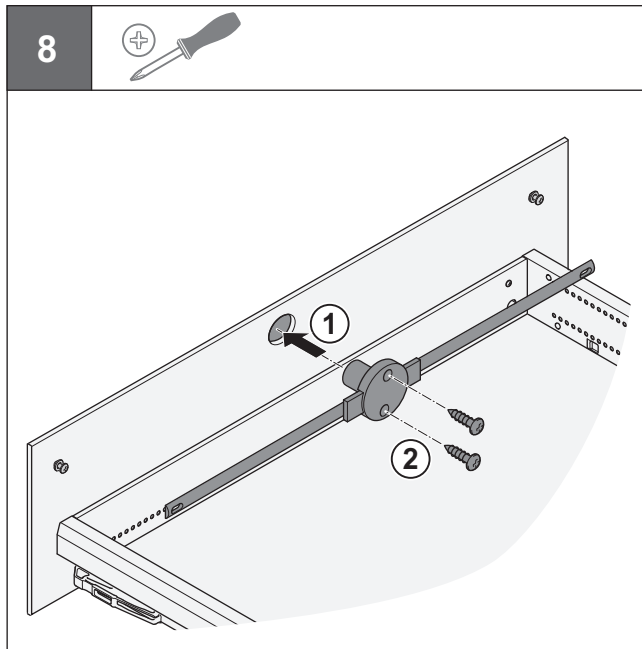
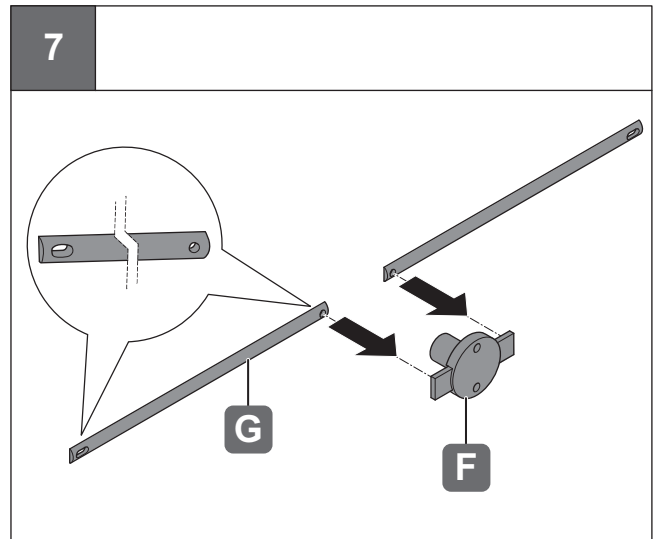
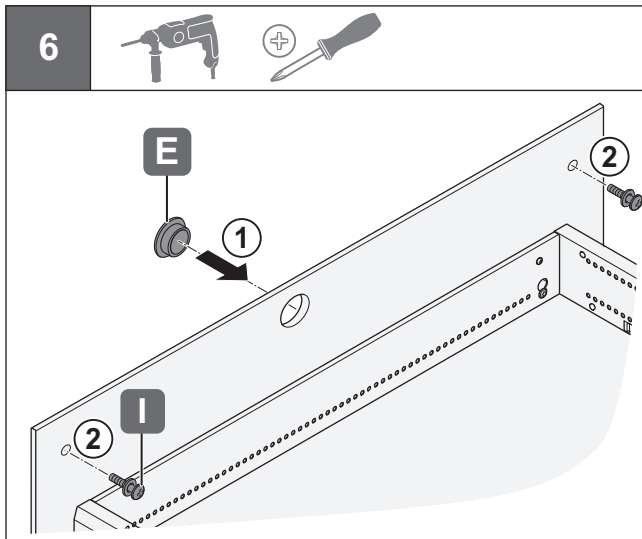
HDE 09/2014

5



**i**

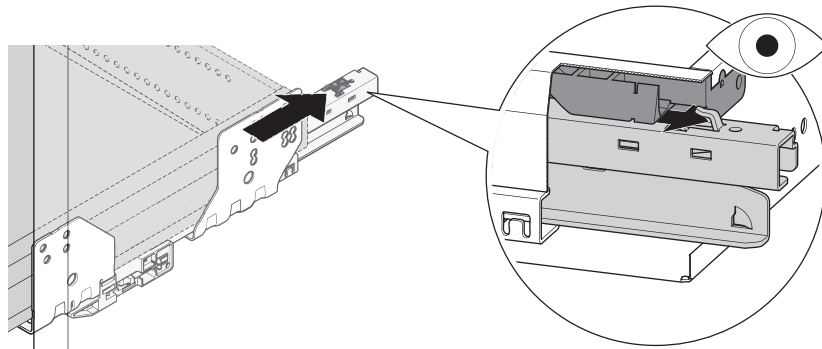
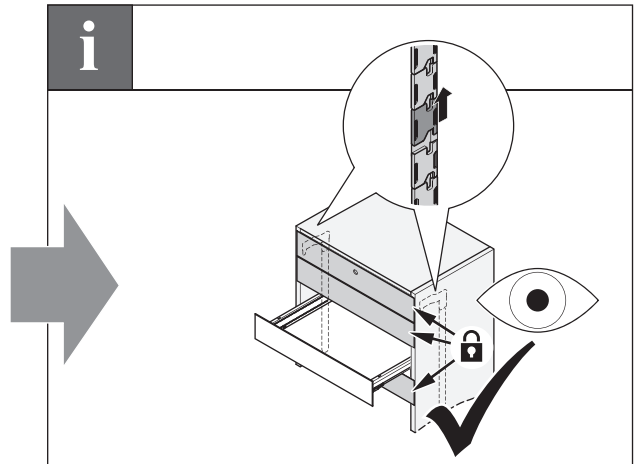
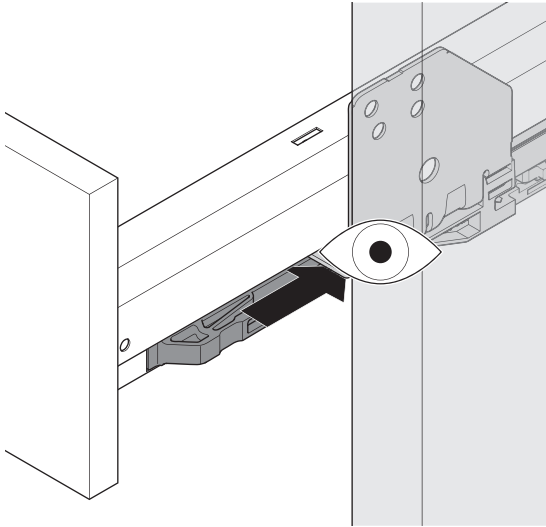
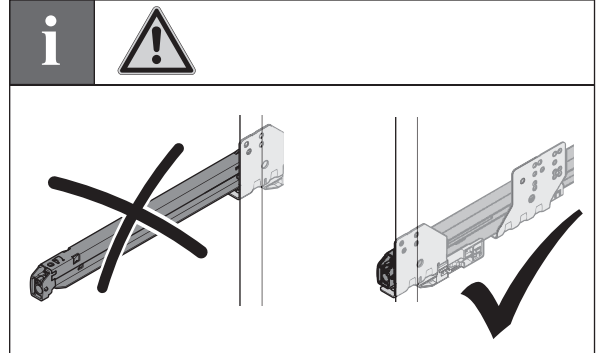
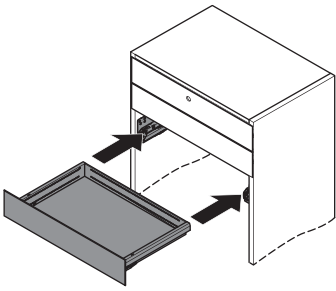




732.24.205

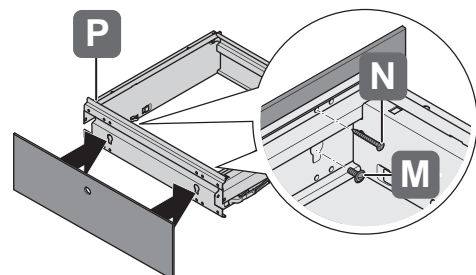
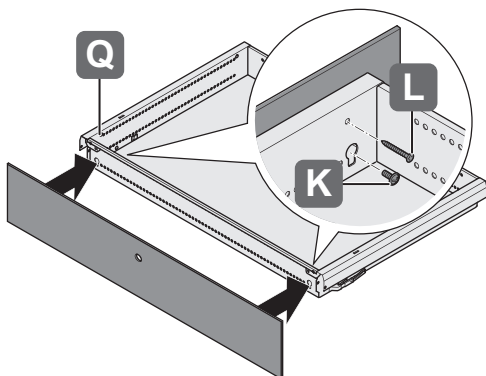
HDE 09/2014

12



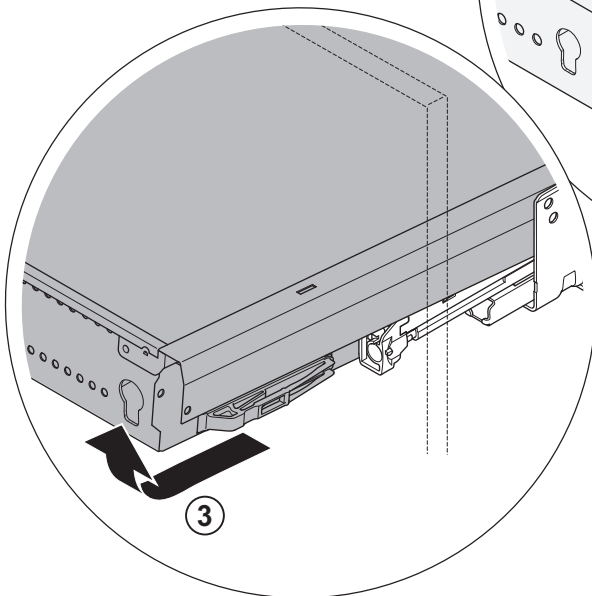
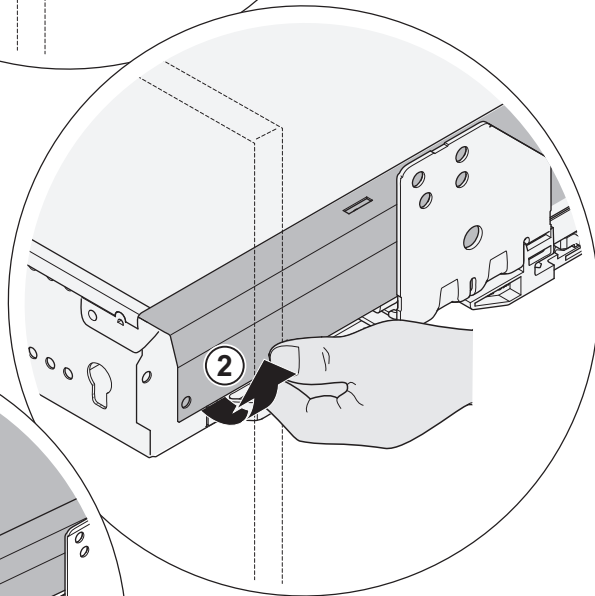
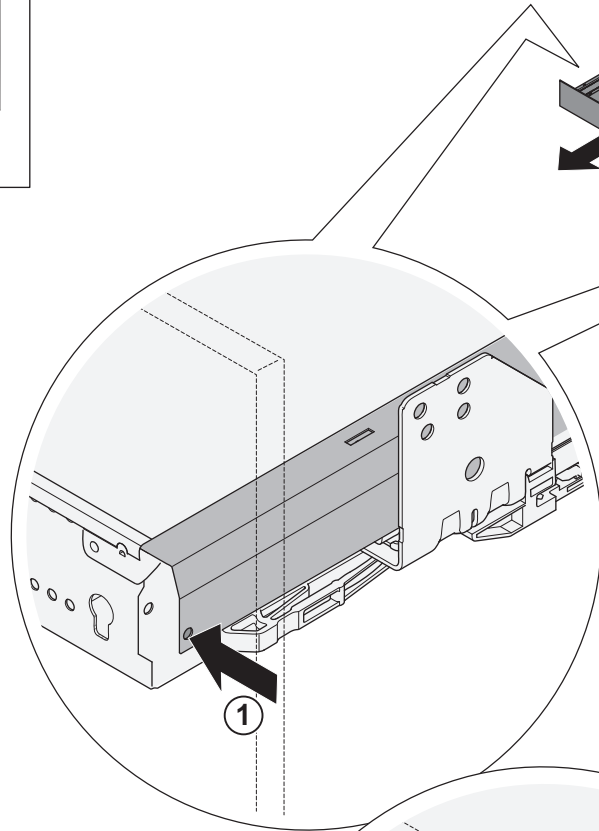
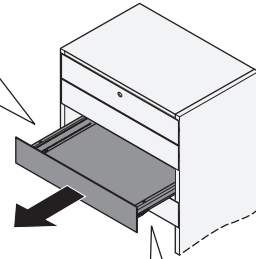
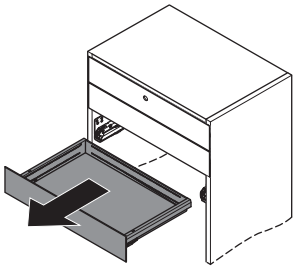
732.24.205

13



HDE 09/2014

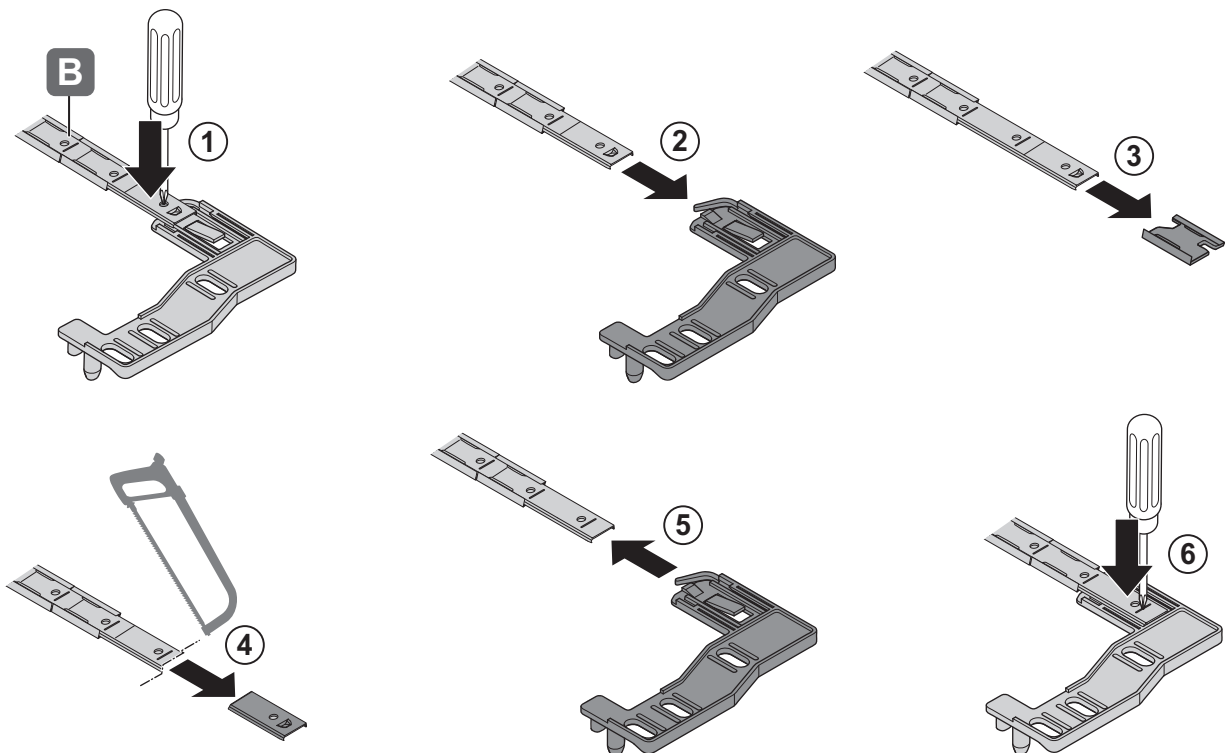
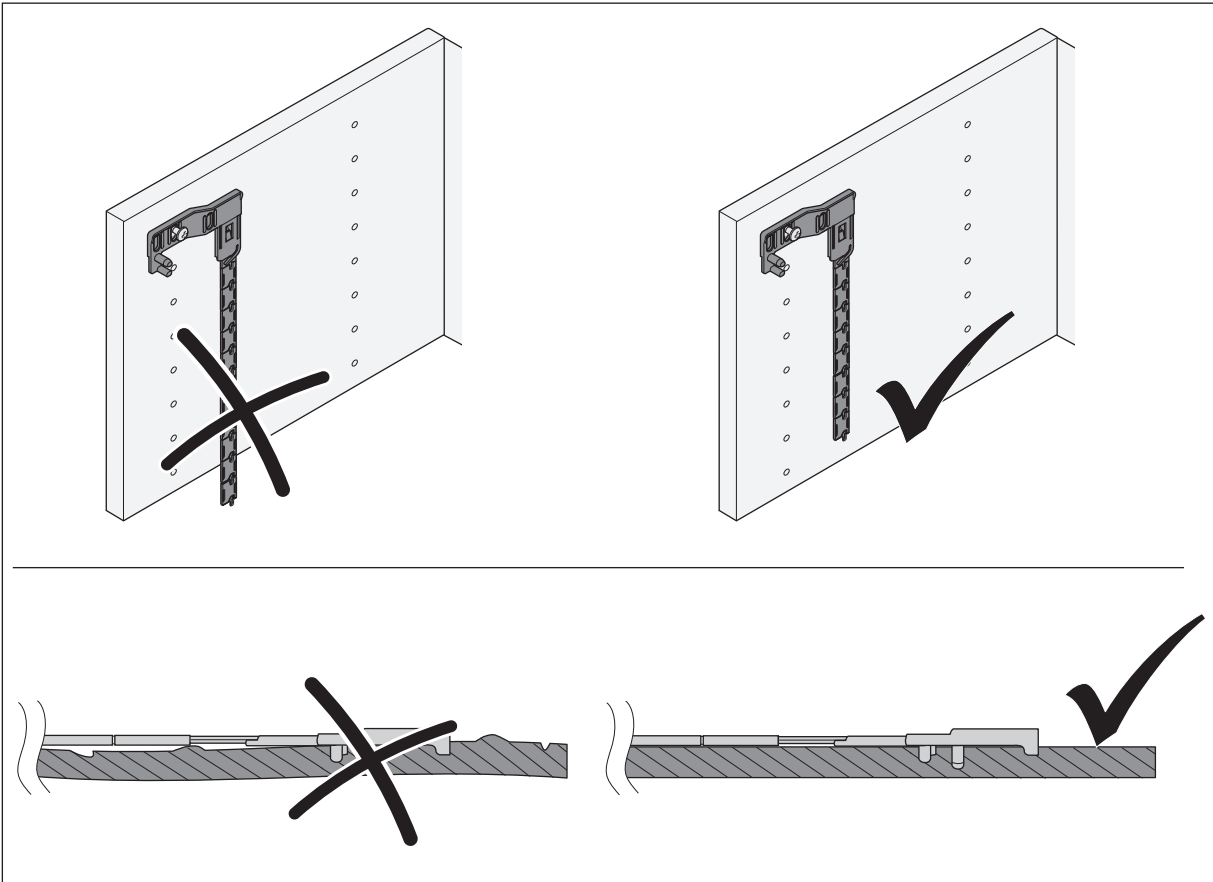
i



732.24.205

HDE 09/2014

i



732.24.205

HDE 09/2014