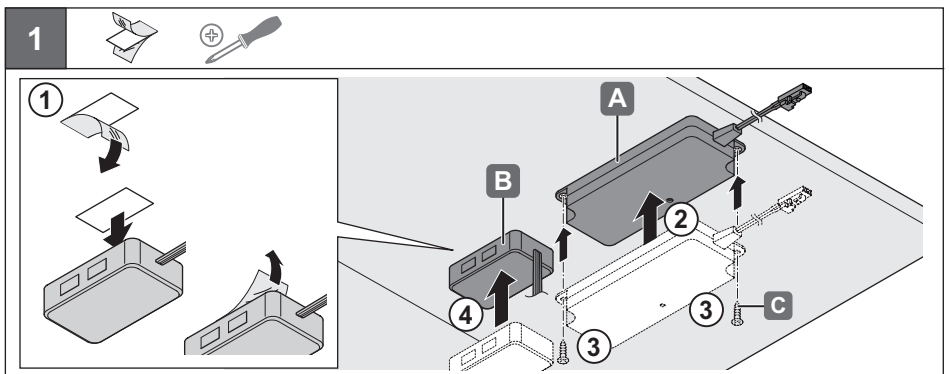
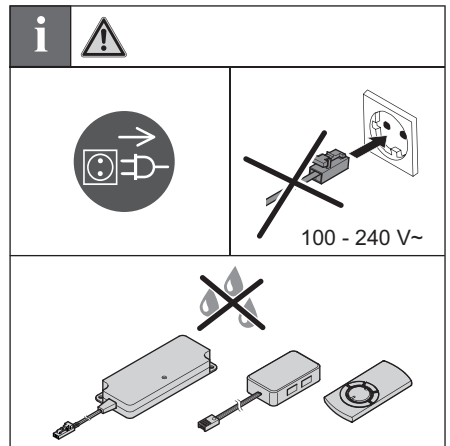
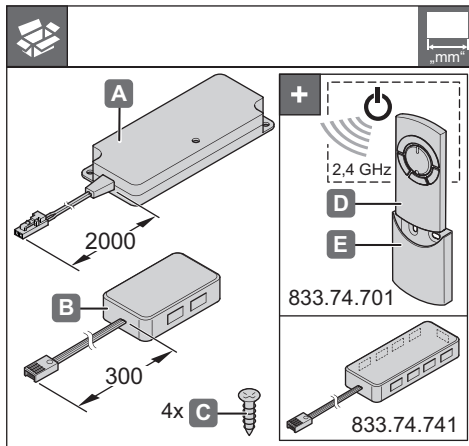




12 V System	W	T <sub>A</sub>	mm	
833.74.800	0 – 30 W	0 °C – +35 °C +32 °F – +95 °F	96 x 44 x 16	833.74.900 833.74.901 833.74.913 833.74.914 833.74.917 833.74.918



HDE 23.01.2013

732.28.305

2

**i**

- LED 2009
- LED 2010
- LED 2012
- LED 2014  
LED 2016

3

**12 V System**

- 833.74.900
- 833.74.901
- 833.74.913
- 833.74.914
- 833.74.917
- 833.74.918

**+**

**A**

**B**

833.74.701

**C**

**E**

732.28.305 HDE 23.01.2013