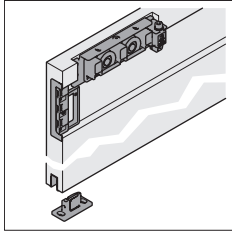


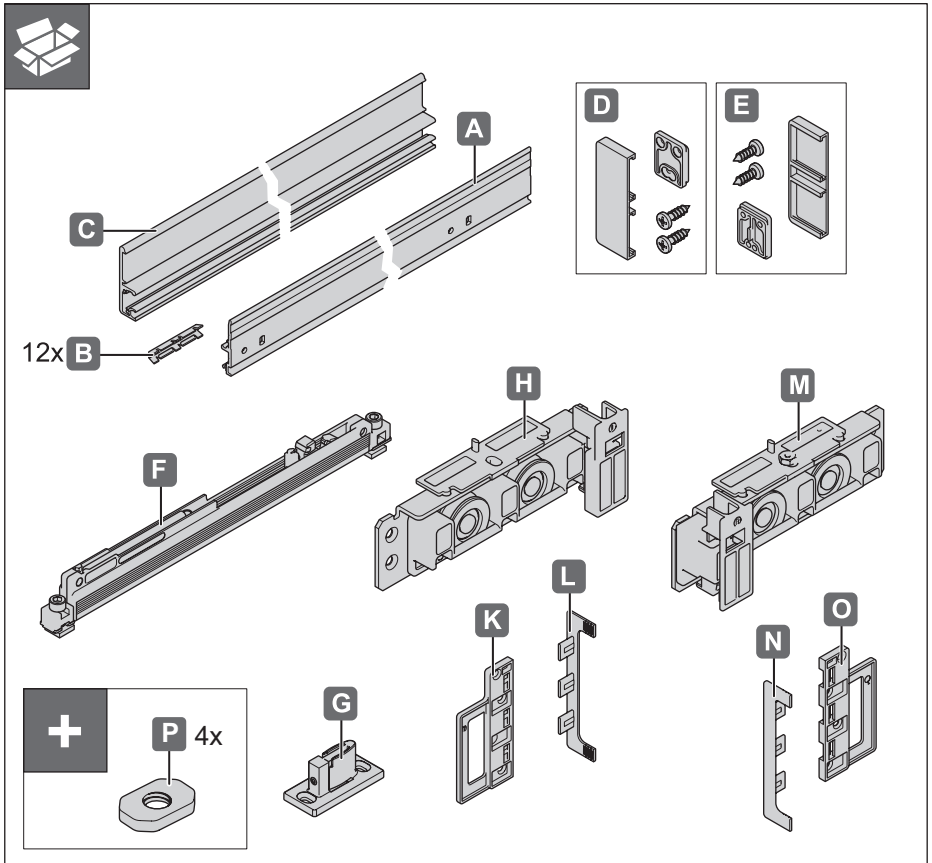


## Slido D-Line41

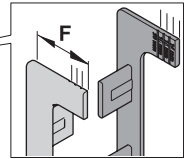
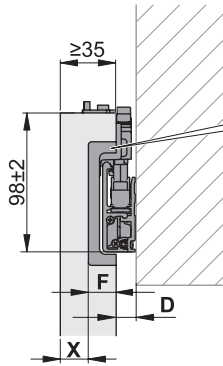
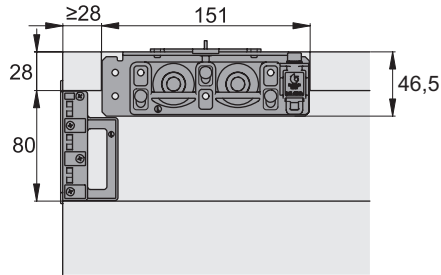
940.42.068  
940.42.069



Design		
50X		940.42.068
80X		940.42.069

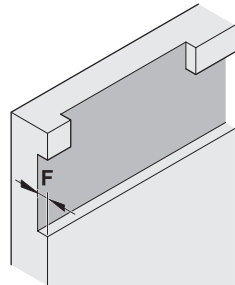
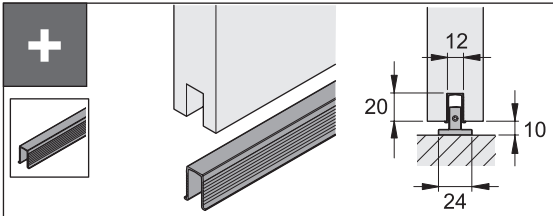
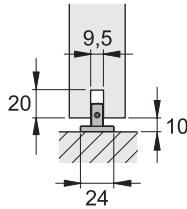
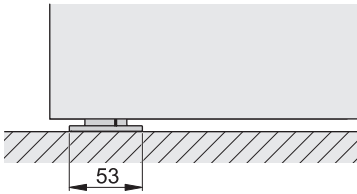


**i**

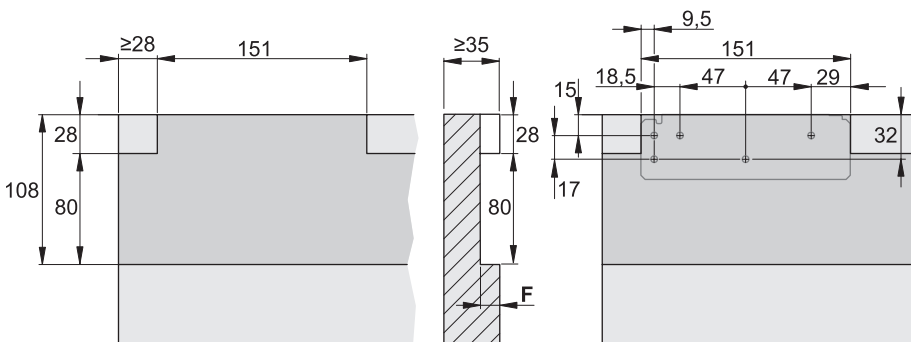


F	D
12	20
14	18
16	16
18	14

**X ≥ 23**



732.29.792



HDE 14.01.2021

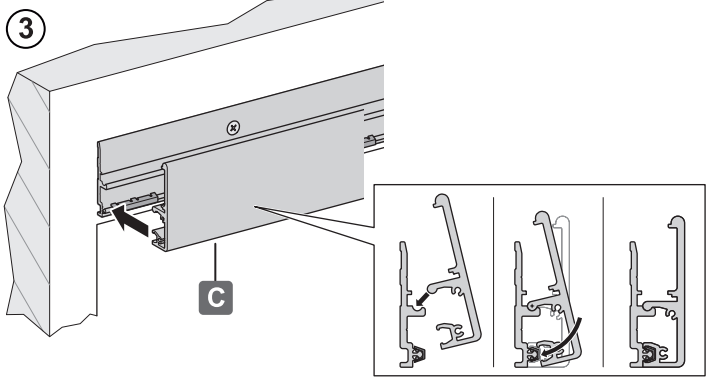
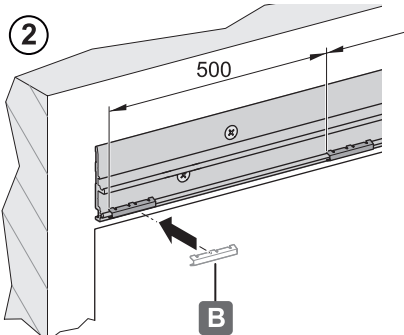
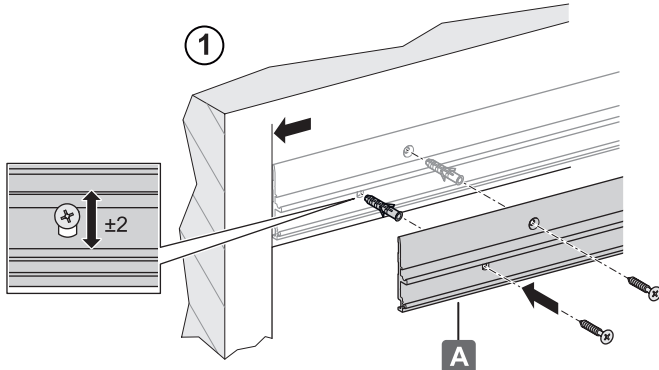
1



PZ 1/2



SW 2/2,5/3



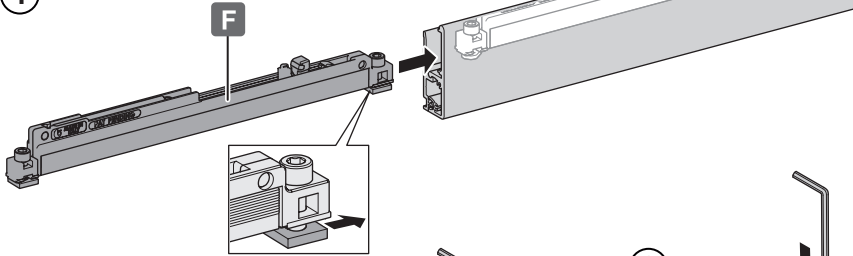
732.29.792

HDE 14.01.2021

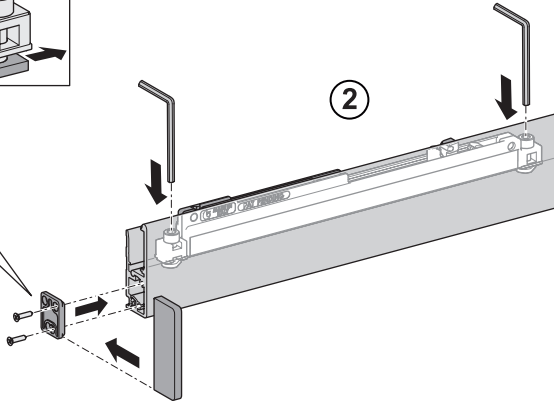
2a



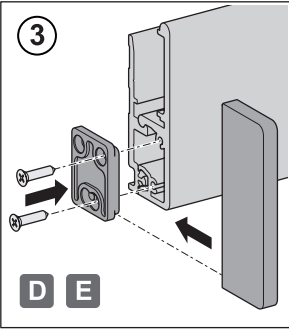
1



2



3

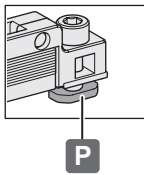


732.29.792

2b

+

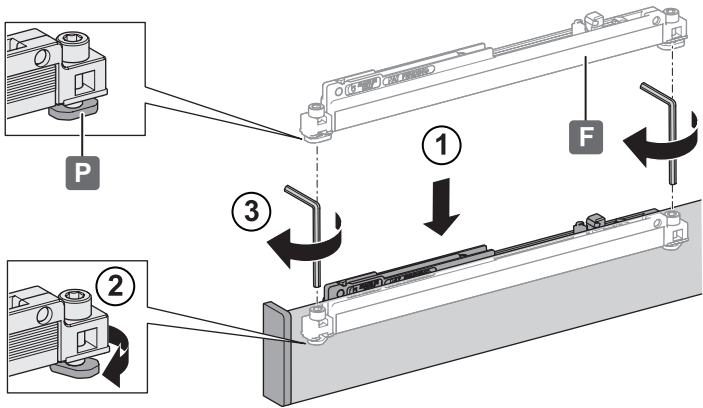
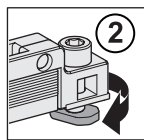
P 4x



1

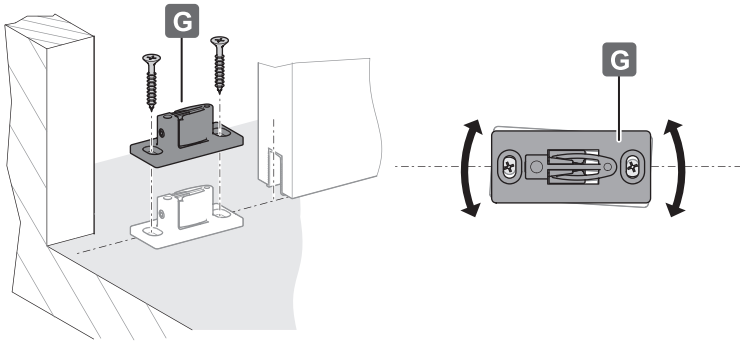
F

3

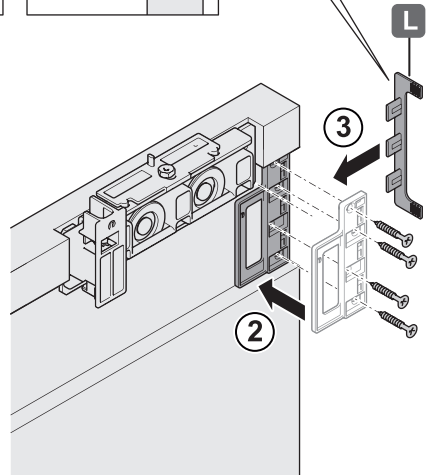
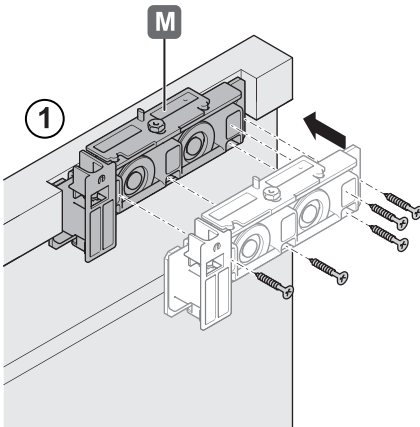
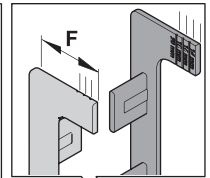
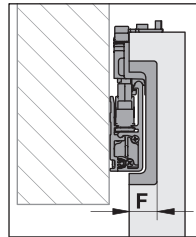
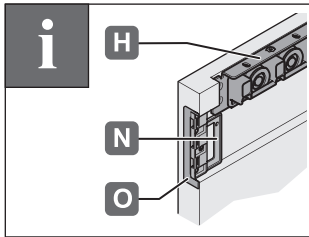


HDE 14.01.2021

3



4



732\_29\_792

HDE 14.01.2021

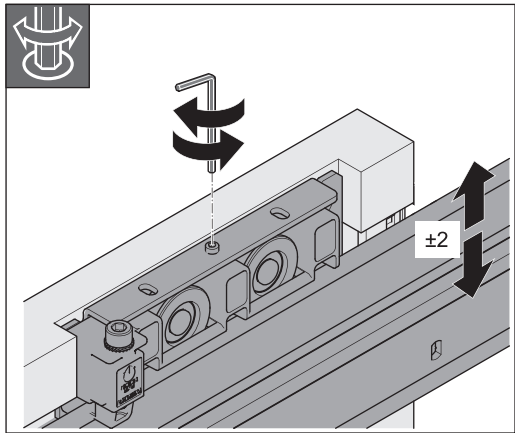
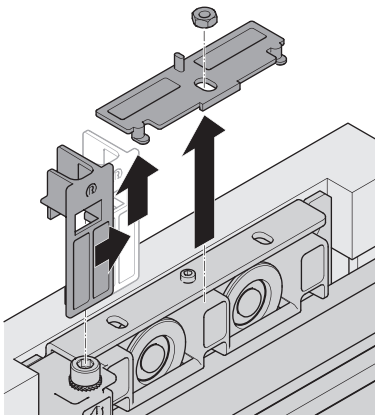
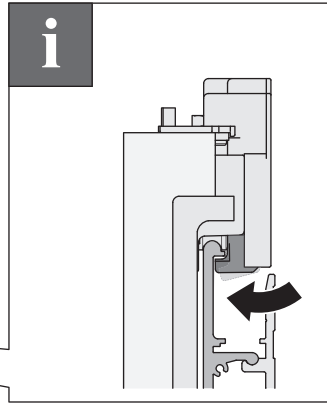
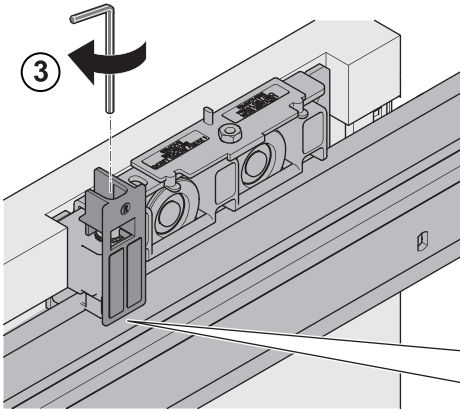
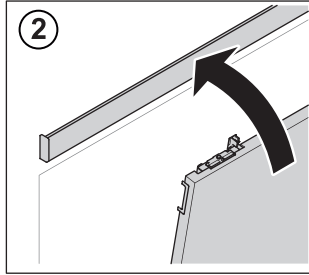
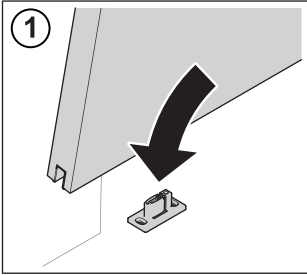
5



SW 2 / 2,5 / 3



SW3



732.29.792

HDE 14.01.2021

732.29.792

HDE 14.01.2021

