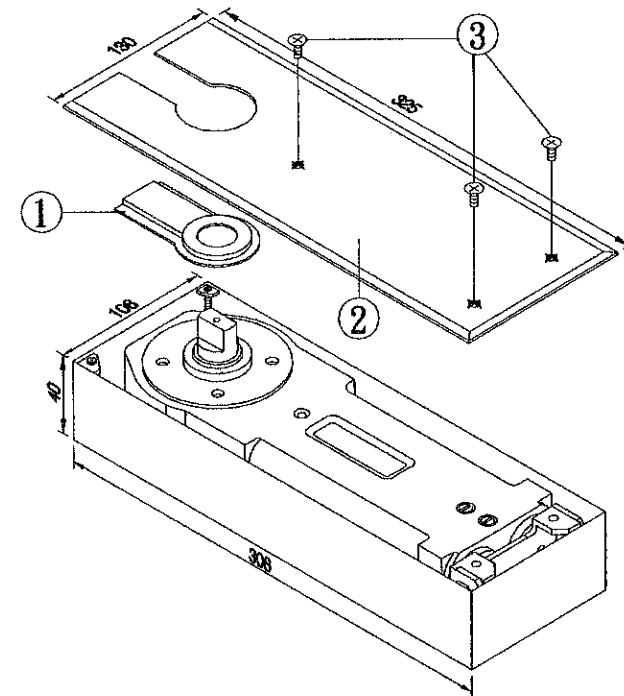
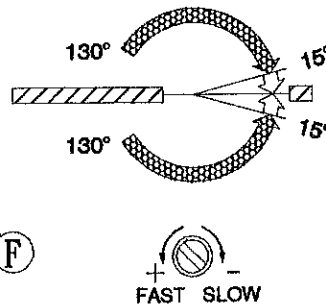
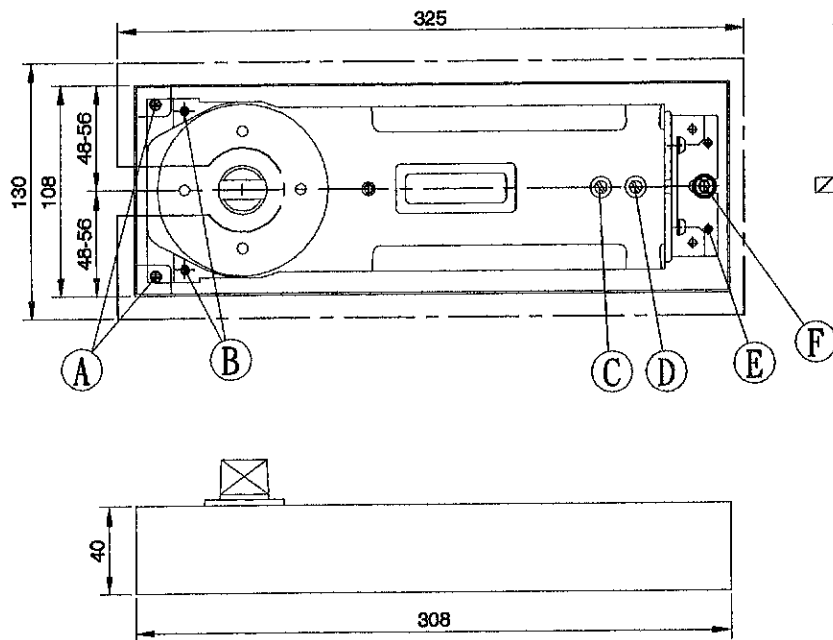


5

FIXING INSTRUCTION FOR DOUBLE ACTION FLOOR HINGE



- A = Fixing screw
- B = Height adjustment screw
- C = Regulation valve 130°-15°
- D = Regulation valve 15°-0°
- E = Height adjustment screw
- F = Fixing screw

- ① = Dust plate
- ② = Cover plate
- ③ = Fixing screw M5x8

Adjustment in cement box

To adjust the position of floor spring in cement box, (7mm length x 10mm width x 4mm height) loosen fixing screws A and F. Move floor spring to required position and use screws B and E for height adjustment. Retighten screws A and F after adjustment.

Center hung doors

For center hung doors, floor spring should be in the center of cement box. Maximum door opening angle is 130° in each direction. For doors opening up to 130°, door stop MUST be fitted. Ensure that top center is properly eligned with floor spring.

Adjustment of closing speed

Two regulating valves C and D. C decrease closing speed, D increase closing speed.

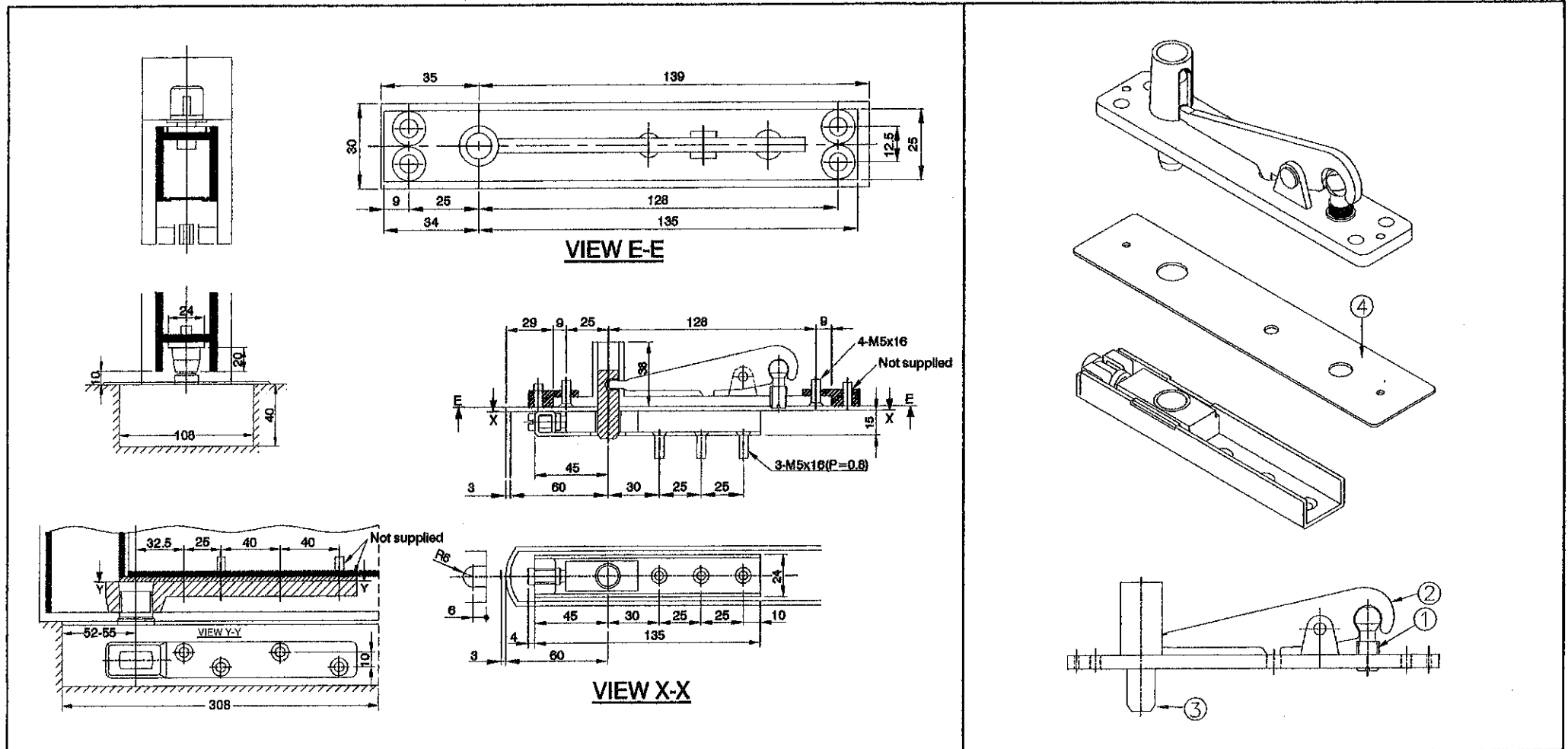
Valve C : controlled closing range 130°-15°.

Valve D : controlled closing range 15°-0°.

Adjustment of cover plate

Press insert piece ① into gap behind spindle and secure cover plate ② to floor spring with fixing screws ③.

FIXING INSTRUCTION FOR DOUBLE ACTION ALUMINIUM AND WOOD DOORS ACCESSORIES



1. Preparation works

Mill or route door and frame to accept relevant top center parts.

2. Top Center--frame portion

Install pivot to door section as shown. Ensure that the top center is properly aligned with floor spring.

3. Installation of door

Bring door gently down onto floor spring; open door to gain access to top center; lower pivot pin ③ into bearing by turning adjustment screw ① clockwise. Ensure proper engagement of pivot pin into door portion of top center.

4. Attachment of cover plate

Secure cover plate ④ to top center frame portion by using two 2 M4x6 screws provided.

5. Lock coverplate

Using 3 screws provided.